

Items Supplied >

- 1 - FRONT HEADPIPE W/ HEATSHIELD
- 1 - REAR HEADPIPE W/ HEATSHIELD
- 1 - HEATSHIELD BIKINI
- 1 - MUFFLER ASSEMBLY
- 1 - EXHAUST MOUNT BRACKET
- 5 - CLAMP, HS-24 HOSE
- 1 - CLAMP, HS-28 HOSE
- 2 - CLAMP, 27-59 MSC
- 2 - BOLT, 5/16" X 5/8" FLANGE W/ LOCK PATCH
- 3 - BOLT, 3/8" X 1" ALLEN

Application(s) >

HARLEY SPORTSTER 883/1200 07-13

Instruction Manual >

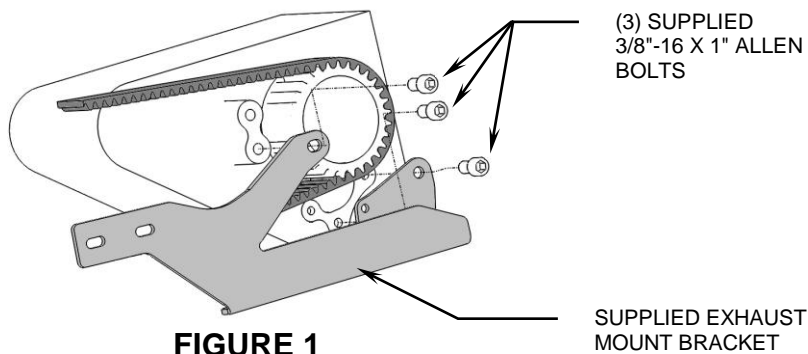
6441

Page 1 of 2

PRIOR TO INSTALLATION, MAKE SURE YOUR STOCK HEADPIPE GASKETS ARE IN GOOD SHAPE. IF YOU HAVE ANY DOUBTS AS TO THEIR CONDITION, REPLACE THEM.

Read all instructions carefully and completely before installing your new exhaust system!

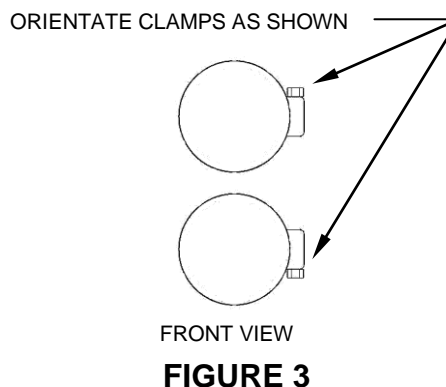
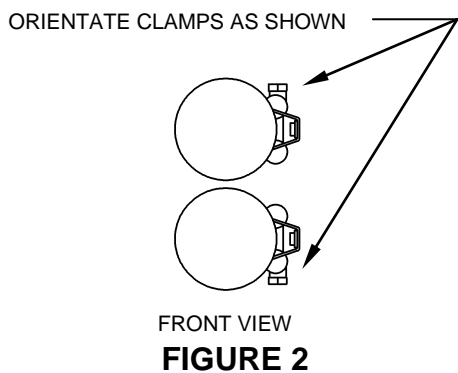
1. Unplug O₂ sensors on front and rear headpipes from motorcycle wire harnesses.
2. Remove stock exhaust system. Remove and save the flanges, nuts, gaskets, retaining rings and O₂ sensors from the stock exhaust.
3. Remove the sprocket cover. Remove the bracket from the sprocket cover.
4. Remove the brake rod at the rear eyelet and at the pedal, using a Torx driver.
5. Remove the stock exhaust mount bracket.
6. Reinstall brake rod eyelet at the rear only and torque to factory specifications.
7. Install the supplied exhaust mount bracket into place using the (3) supplied 3/8" allen bolts, see Figure 1. Tighten the bolts to factory specifications.



8. Reinstall the sprocket cover and tighten to factory specifications. Reinstall the brake rod at the pedal and torque to factory specifications.
9. Install stock flanges, retaining rings and O₂ sensors onto the supplied front and rear headpipes.
10. Remove the muffler assembly from the box and slide a supplied #27-59 MSC muffler clamps onto each muffler inlet tube. Refer to Figure 2 for proper alignment.

*** Cobra® recommends you always wear a helmet while riding. Please never operate your motorcycle while under the influence of alcohol and/or drugs. Enjoy the new look of your motorcycle and please ride safely.**

11. Loosely attach the front headpipe to the cylinder using the stock nuts from Step 2. Insert rear headpipe into the muffler assembly and slide the muffler assembly onto the front headpipe. Rotate rear headpipe as needed and secure to the cylinder using the stock nuts from Step 2, but **DO NOT TIGHTEN**. Make sure the muffler assembly slides as far forward as possible.
12. Secure the muffler assembly to the exhaust mount bracket using the (2) supplied 5/16"-18 bolts but **DO NOT TIGHTEN**.
13. Align and adjust the exhaust as needed then tighten the following in order; headpipe flanges to the cylinders (slowly tightening opposing nuts), muffler assembly to the exhaust mount and finally the mufflers clamps. (NOTE: If the muffler clamps are slid past the slots on the muffler inlets the clamps will not tighten properly).
14. Plug O₂ sensors back into motorcycle wire harnesses.
16. Unscrew the HS-24 (smaller) hose clamps and feed the tail end of the clamp through the clips on the inside of the heatshields. The screw end of the hose clamp should be accessible for tightening but not visible when the heatshields are mounted to the pipes, see Figure 3.
17. To install the front heatshield spread the hose clamps apart to make it easier to snap them over the headpipe. Lightly snug the heatshield clamps but **DO NOT TIGHTEN**. Install the rear heatshield in the same manner as the front heatshield.
18. Unscrew the HS-28 hose clamp and feed the tail end through the clip on the inside of the bikini heatshield. NOTE: orientate hose clamp so the hex head is towards the inside and facing the ground. Snap the bikini heatshield in place onto the muffler collar and over both heatshields. Adjust front and rear headpipe heatshields fore and aft to align properly with bikini heatshield.
19. Tighten the hose clamps on the headpipe heatshields followed by the clamp for the bikini heatshield.
20. Make sure all the hardware (brackets, headpipes, heatshields, and tips) has been tightened appropriately and cleaned before starting your motorcycle.



IMPORTANT: It is recommended that a Cobra Fi2000® Digital Fuel Processor, (Part#: 692-1620AT or 692-1620CL; CA state models use Part#: 692-1620CL-50), be installed with the Cobra exhaust system. Cobra is not responsible for the performance of any other fuel management system used with Cobra exhaust systems.

Before starting your engine remove all fingerprints from chrome with a quality wax or chrome polish. Failure to do so can cause discoloration. Due to fluctuations in carburetor settings, timing, etc., Cobra Engineering does not warrant against chrome discoloration.