



Items Supplied >

- 1 – FRONT HEADPIPE AND HEATSHIELD
- 1 – REAR HEADPIPE AND HEATSHIELD
- 1 – CROSSOVER PIPE ASSEMBLY AND HEATSHIELD
- 1 – BRACKET, FRONT HEADPIPE SUPPORT
- 1 – BRACKET, CROSSOVER PIPE SUPPORT
- 1 – FLOORBOARD MOUNT SPACER PLATE
- 1 – CLAMP, FRONT HEADPIPE SUPPORT
- 9 – CLAMP, HOSE HS-24
- 2 – CLAMP, 27-61 MSC
- 1 – THICK 3/8" WASHER
- 1 – THIN 3/8" WASHER
- 1 – 3/8" X 1" CARRIAGE BOLT
- 1 – 3/8" NYLOCK NUT

Application(s) >

HARLEY TOURING MODELS:	
FLHR (S)	2009
FLHRC	2009
FLHX	2009
FLTR	2009
FLHT	2009
FLHTC	2009
FLHTCU	2009

Instruction Manual >

PRIOR TO INSTALLATION, MAKE SURE THE STOCK HEADPIPE GASKETS ARE IN GOOD CONDITION, IF THERE IS ANY DOUBTS ABOUT THEIR CONDITION REPLACE THEM.

Read all instructions carefully and completely before installing your new exhaust system.

1. Remove both left and right saddlebags and set them aside.
2. Remove the right side rider floorboard from the floorboard mounts and set aside. Remove the right rear floorboard mount from frame and set aside. See Figure 5 for reference.
3. Unplug the (2) O₂ sensors on the front and rear headpipes from motorcycle wire harnesses.
4. Remove the stock crossover headpipe support bracket by removing the (2) stock allen bolts located on the backside of the transmission pan underneath the motorcycle. Remove the 5/16 hex flange bolt that fastens the bracket to the exhaust pipe. Save all (3) bolts for later use but discard the bracket. See Figure 1 for location.
5. Remove the stock exhaust system. It may be necessary to lubricate the slip joints of the exhaust with WD-40 or similar lubricant to aid in disassembly. The stock muffler slide hangers should be left in place in the rubber mounts for later reinstallation of the mufflers.
6. Remove the stock front headpipe support bracket from the right side of the motorcycle and replace with the supplied front headpipe support bracket and tighten the stock bolts and washers to factory specifications. See Figure 2.
7. Remove the stock snap rings, exhaust flanges, and O₂ sensors from the stock headpipes and install them on the supplied front and rear headpipes.
8. Install the front headpipe on the motorcycle using the stock flange nuts to secure it to the exhaust port studs, but **do not tighten** at this time. Slide the headpipe support clamp onto the headpipe and over the supplied exhaust mount installed in Step 6; make sure the clamp's square hole is on top. Insert the carriage bolt through the brackets then install the supplied thin 3/8" washer and nylock nut but **do not tighten** at this time. See Figure 2.
9. Install the rear headpipe on the motorcycle using the stock flange nuts to secure it to the exhaust port studs, but **do not tighten**.
10. Remove crossover pipe assembly from box and slide the (2) supplied 27-61MSC clamps over the expanded inlets. Refer to Figure 3A for clamp alignment.
11. Make sure the front and rear headpipes are parallel then slide the crossover pipe assembly onto the headpipes by tapping on the headpipes with your hand as you push the crossover pipes forward making sure the assembly slides as far forward as possible. Lightly snug the 27-61MSC clamps around the expanded inlets but **do not tighten** at this time.

DISCLAIMER: NOT LEGAL FOR SALE OR USE IN CALIFORNIA ON ANY POLLUTION CONTROLLED MOTOR VEHICLE. THE SALE, USE, OR INSTALLATION OF THIS PRODUCT MAY ALSO BE ILLEGAL NATIONWIDE UNDER THE FEDERAL CLEAN AIR ACT (42 U.S.C. § 7522(A)(3)).

12. Install the supplied crossover support bracket to the stock mounting location, described in Step 4, using the (2) stock allen bolts removed in Step 4 and tighten. Adjust the crossover pipe assembly for and aft so the welded mount rests flush against the support bracket, then align the holes and fasten with the stock 5/16 hex flange bolt removed in Step 4. See Figure 1. Make sure the crossover pipe has clearance and does not make contact with the transmission pan; adjust as needed while bolts are loose.
13. Reinstall the mufflers onto the crossover pipe assembly using the stock muffler clamps. Reinsert the (2) stock 5/16-inch bolts into each rear muffler mount. **Do not tighten** clamps or bolts.
14. Tighten the 5/16 hex bolt and (2) allen bolts on the crossover support bracket, then fully tighten the flange nuts on the exhaust port studs, followed by the 3/8" carriage bolt and nut on the front headpipe support clamp. Next fully tighten the (2) 27-61MSC clamps.
15. Remove heatshields and hose clamps from packaging. Unscrew the hose clamps and feed the tail end of the clamps through the clips on the inside of the heatshield so the screws are accessible with a screwdriver once the heatshield is installed. See Figure 3B for clamp alignment.
16. Install the front heatshield over the front headpipe and the right rear heatshield over the rear headpipe. (Hint: Spread the hose clamps apart slightly to make it easier to slide them over the headpipes.) Align heatshield with headpipe and snug clamps but **do not tighten**.
17. Place left rear heatshield in position on the crossover pipe on the left side of the motorcycle. See Figure 3C for left side clamp alignment. Check for clearance around the drive belt before securing the hose clamps. **Do not fully tighten** the hose clamps.
18. Now slide mufflers for and aft to align the rear of heatshields to the front of mufflers, there should be minimal gap. Once aligned tighten muffler clamps to crossover pipes. (NOTE: If the muffler clamp is slid to far up the muffler or past the slots, the clamp will not tighten properly.)
19. Make sure the minimal gap is maintained from the previous step then tighten all hose clamps securing the heatshields.
20. Reconnect the O₂ sensors back into the wire harness.
21. Insert the supplied floorboard spacer plate between the rear floorboard mount and the frame, then align the dowel pin and reinstall the allen bolt, tightening to factory specifications. See Figure 4.
22. Remove the allen bolt that secures the front floorboard mount. Place the supplied thick washer between the front floorboard mount and the frame, then reinstall and tighten the allen bolt to factory specifications. See Figure 5.
23. Reinstall the right side floorboard and tighten all bolts to factory specifications.
24. Reinstall the saddlebags and any other previously removed items. Tighten to factory specifications.
25. Make sure all the hardware (brackets, headpipes, heatshields, mufflers and floorboards) have been tightened appropriately and all finger prints cleaned off before starting your motorcycle.

Before starting your engine remove all fingerprints from chrome with a quality wax or chrome polish. Failure to do so can cause discoloration.

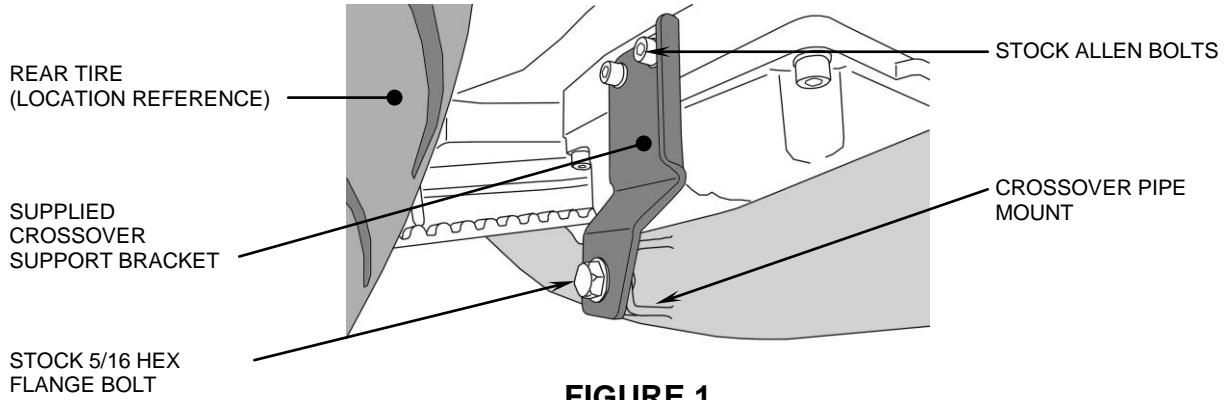


FIGURE 1

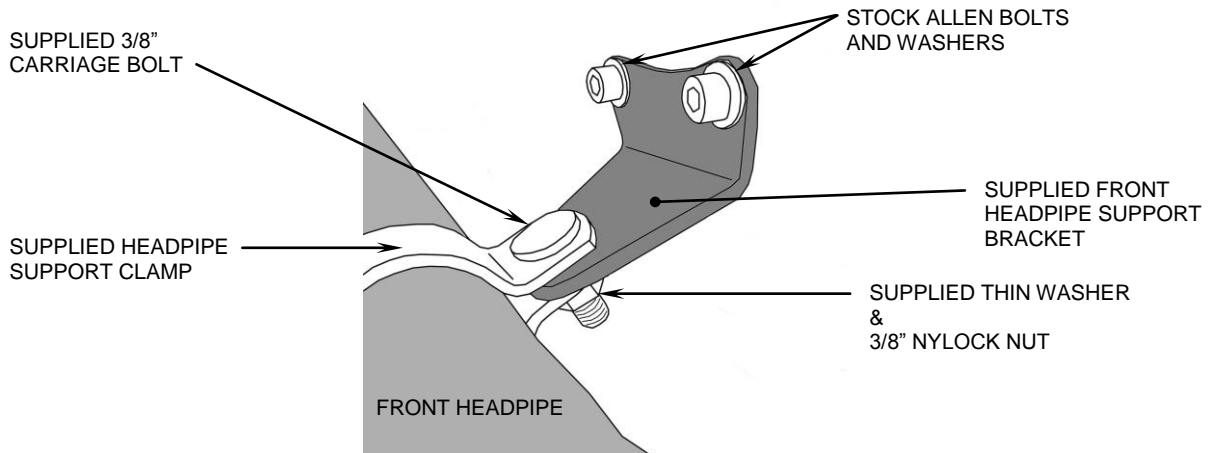


FIGURE 2

FRONT VIEW

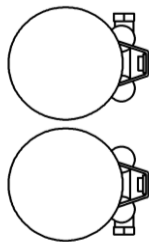


FIGURE 3A
27-61MSC CLAMP
ORIENTATION
(RIGHT SIDE)

FRONT VIEW

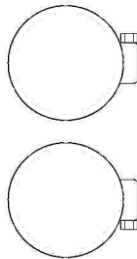


FIGURE 3B
HOSE CLAMP
ORIENTATION
(RIGHT SIDE)

FRONT VIEW

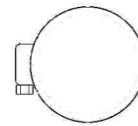


FIGURE 3C
HOSE CLAMP
ORIENTATION
(LEFT SIDE)

