

## Items Supplied >

- 1 - INTAKE COVER
- 1 - VENTURI AIR FILTER
- 1 - INTAKE SCREEN ASSEMBLY
- 1 - BILLET VELOCITY STACK
- 1 - MOUNTING PLATE
- 1 - SUPPORT BRACKET
- 1 - BOLT, M5 X 12mm, ALLEN
- 2 - BOLT, M6 X 16mm, ALLEN
- 3 - BOLT, M6 X 25mm, ALLEN
- 2 - BOLT, M6 X 12mm BUTTONHEAD
- 4 - BOLT, 1/4"-20 X 5/8", HEX FLANGE
- 3 - WASHER, INTERNAL TOOTH LOCK
- 1 - O-RING, 2.88 "I.D. X .125", BUNA-N
- 1 - BILLET BREATHER FILTER

## Application(s) >

KAWASAKI VN900

2006 - 2019

## Instruction Manual >

06-0467B-SB

Page 1 of 2

### Read all instructions carefully and completely before installing your new POWRFLO™ Intake.

1. Remove the (4) bolts that hold on the stock air cleaner cover. Once the cover has been removed, loosen the top bolt to remove the filter from air box.
2. Remove the air box by loosening the (5) allen bolts around the air inlet and the (2) hex bolts from the lower portion of the air box. See Figure 1. Disconnect the (2) hoses, idle adjuster and air temperature sensor connector from the air box.
3. Once the air box has been removed, unscrew the air temperature sensor and install it into the supplied mounting plate using the supplied M5 bolt, refer to Figure 3. **NOTE:** Make sure the small stock o-ring around the sensor is still intact.
4. Install the supplied billet breather filter into the upper hose (disconnected in Step 2) and clamp. Rotate the hose so the billet breather filter is pointed to the rear and resting slightly on top of the throttle body.
5. Insert the supplied o-ring into the groove of the supplied velocity stack. **NOTE:** Do not attempt to stretch the o-ring into groove; position o-ring evenly around groove and use gentle force (No tools) to push it in.
6. Bolt the velocity stack to the throttle body using the (2) supplied M6 x 16mm allen bolts and tighten. See Figure 2.

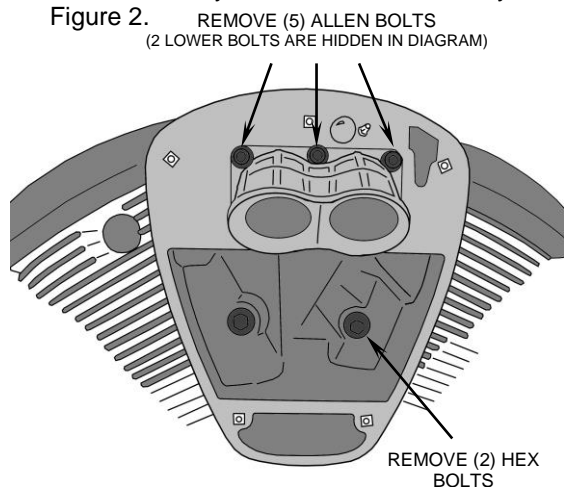


FIGURE 1

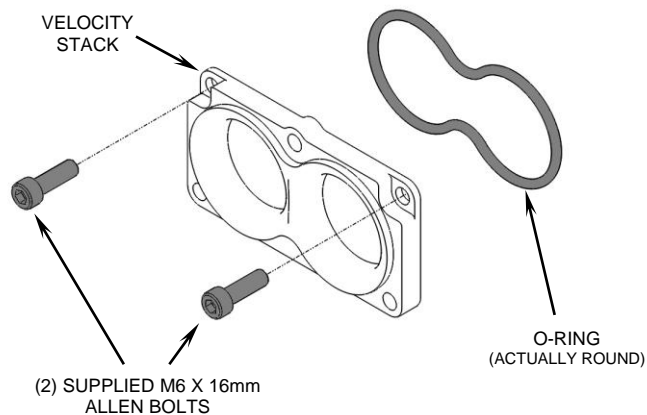


FIGURE 2

**California Customers:** In California, aftermarket parts that have been identified specifically as replacement parts or that have received an Air Resources Board Executive Order may be used on street motorcycles. All other emissions related aftermarket parts are for competition use only. A list of replacement parts and EO parts, and corresponding fitment is provided at: [www.cobrausa.com](http://www.cobrausa.com)

DISCLAIMER: NOT LEGAL FOR SALE OR USE IN CALIFORNIA ON ANY POLLUTION CONTROLLED MOTOR VEHICLE. THE SALE, USE, OR INSTALLATION OF THIS PRODUCT MAY ALSO BE ILLEGAL NATIONWIDE UNDER THE FEDERAL CLEAN AIR ACT (42 U.S.C. § 7522(A)(3)).

7. Position the mounting plate over the velocity stack (with the welded tube toward inside) and secure using (3) supplied M6 x 25mm buttonhead bolts and (3) internal tooth lock washers, finger tighten only, Figure 3.
8. Install the supplied support bracket to the two threaded bosses near the base of the cylinders using the (2) supplied M6 x 12mm buttonhead bolts. Secure the support bracket to the mounting plate using the (1) supplied 1/4" hex flange bolt, and finger tighten. See Figure 4.
9. Fully tighten the (3) M6 x 25mm allen bolts, from Step 7, followed by the support bracket bolts, from Step 8.
10. Attach the lower hose and hose clamp that was disconnected in Step 2 to the tube on the mounting plate. Install idle adjuster onto the support bracket retaining tab. Reconnect the air temperature sensor connector.
11. Insert the intake screen into place so the holes in the bent tabs align with the threaded bosses in the intake cover, see Figure 5 for orientation. Place the supplied venturi filter into the intake cover.
12. Place intake cover over the mounting plate and align the mounting holes to the threaded bosses. Insert (3) supplied 1/4" hex flange bolts and tighten the mounting plate to the intake cover. See Figure 5.

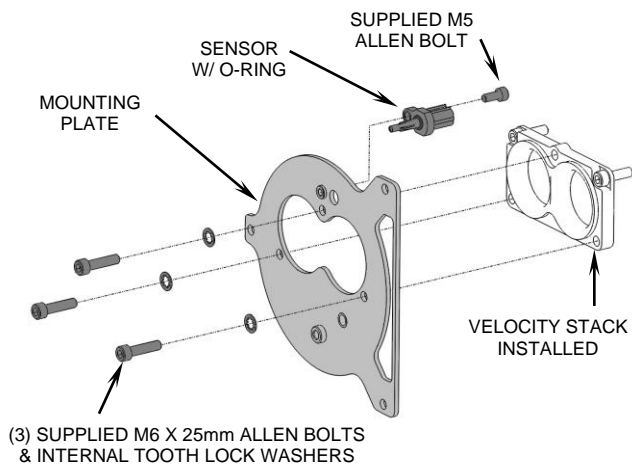


FIGURE 3

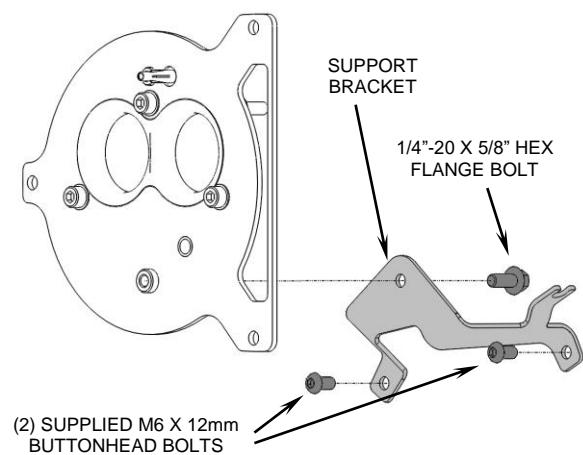


FIGURE 4

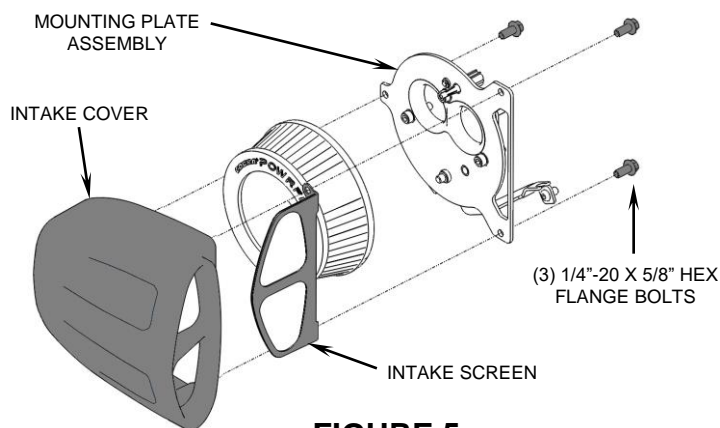


FIGURE 5

### CLEANING INSTRUCTIONS:

To clean your black POWRFLO cover, use a liquid based soap detergent, such as dishwashing soap applied with a soft cloth and rinse with clean water. Note: Avoid abrasive cleaning methods such as granular or dry cleansers, simple green, scotch-brite or steel wool pads. Abrasives may breach the coating and shorten life.