

## Items Supplied >

- 1 – LUGGAGE RACK
- 4 – M8 X 60mm BUTTONHEAD BOLT
- 4 – M8 NYLOCK NUT
- 4 – CHROME SPACERS

## Application(s) >

KAWASAKI VN1700 NOMAD 2009-2014

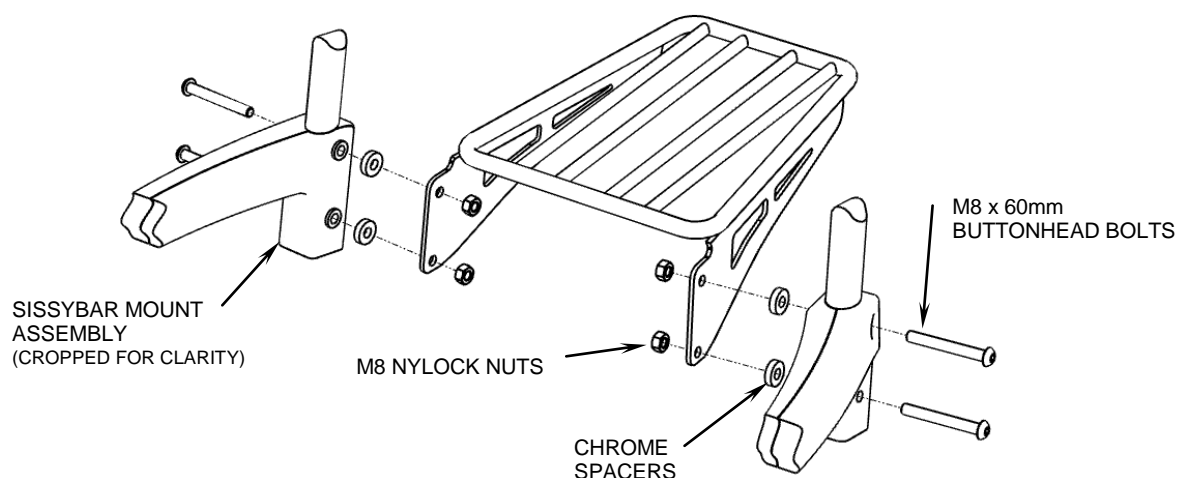
## Instruction Manual >

02-4466

Page 1 of 1

**Read all instructions carefully before installing your new Cobra® product!**

1. Remove the M8 bolts securing the sissybar to the mount on the right side only. **CAUTION:** remove only one side of the mounting bolts at a time to prevent the sissybar from rotating or falling.
2. Place the luggage rack between the sissybar, align the holes, and install (2) supplied M8 x 60 mm bolts through the sissybar mount and into the supplied spacers, luggage rack and M8 Nylock nuts; **DO NOT TIGHTEN AT THIS TIME.** See diagram below. Be sure to hold the buttonhead bolt tight with an Allen wrench while installing the M8 Nylock nut, to prevent it from backing out.
3. On the left side remove the M8 bolts securing the sissybar to the mount. Install (2) supplied M8 x 60 mm bolts through the sissybar mount and into the supplied spacers, luggage rack and M8 Nylock nuts; **DO NOT TIGHTEN AT THIS TIME.**
5. Make sure the rack is aligned horizontally with the rest of the motorcycle and tighten the bolts and nuts to factory specifications.



\* **Cobra® recommends you always wear a helmet while riding. Please never operate your motorcycle while under the influence of alcohol and/or drugs. Enjoy the new look of your motorcycle and please ride safely.**