



COBRA
USA

PERFORMANCE 2025

EXHAUSTS &
ACCESSORIES




Emissions Labeling System

In the effort to help dealers and customers navigate the sometimes confusing and cumbersome disclaimers to determine the status of emissions products, we have adopted SEMA's (Specialty Equipment Manufacturers Association) simple 1, 2, 3, 4 system. Our distributors, Drag Specialties, and Western Powersports have also adopted this system, so you will find it in use in their catalogs and online.

This simple labeling system makes clear the status of a product to be sold and where it may be sold based upon the manufacturer's assigned label number applied to the product.


In this book, in our catalogs, advertising, and on the Cobra website we have assigned our emissions products with these labels to ensure dealers and consumers understand the status of a specific product.

1 This product is covered under a CARB EO and is legal for sale and use in all 50 states.




Products with the number 1 label are available for sale in all 50 states and have an ARB E.O. number.

2 This product is covered under a SEMA Certified Emissions certification or has otherwise met the requirements of the EPA's Tampering Policy and is legal for sale in states that do not mandate an EO.




Products with the number 2 label are available for sale in 49 states. But not in California. These products are EPA Emissions compliant but do not have an ARB EO number.

3 This product is not legal for street use on an emissions-controlled vehicle. It may be used on dedicated competition or pre-pollution-controlled vehicles only.



Products with the number 3 label are available for race applications only or on older pre-emissions vehicles.

4 This product does not require an EO in California. By nature of its design, it is legal for sale and use in all 50 states. Replacement parts included.



Products with the number 4 label are available for sale in all 50 states. These are generally cat-back, slip-on mufflers.

Cobra sells its products to distributors only. It does not sell directly to dealers or consumers. So should a dealer have further questions, they should contact their distributor for additional information. Consumers should contact their local dealers.

'NA' means not applicable because the product is not an emission related part.

The Cobra Advantage

We start out every day to make the perfect exhaust. And we come darned close. It helps that we use state-of-the-art lasers to cut our steel and aluminum, and that we make use of the latest generation robotic welders to ensure perfectly welded pieces. But we also use an incredibly talented team of craftsmen and craftswomen to ensure a personal, human touch remains at the heart of every product that ships out to you. And that goes to our fundamental advantage over everyone else. We balance the machine's precision with the artist's imagination. Oh, that and the simple fact we make the best looking, sounding and performing products available.

We can control our quality and costs from start to finish, because we make all our products right here in the red, white, and blue U.S.A.

That's why we offer the only Lifetime Warranty in the business.

That's the Cobra Advantage.

MADE IN THE
USA
ENOUGH SAID





LIKES:

Gardening, classical music, and cooking

DISLIKES:

Dogs, modern “music” and you

**Ruining
Neighborhood
Tranquility
Since 1977.**

WARNING: The mood of the neighborhood is about to change dramatically. Your interest in Cobra exhausts shows you possess an eye for quality and a refreshing lack of restraint. Which means you will likely fire up your new pipes when they sound their best: early in the morning, and during the reverie of soft twilight. Soon after your neighbors will gather and begin to talk. The subject will be you, your motorcycle, and the wonderful sounds produced by your exhaust. Don't say we didn't warn you.

50-State Full Systems

Our 50-state legal (emissions only) full systems are just that. A full system that includes the head pipes and mufflers. We're introducing two styles (each with the same head pipe, just with different mufflers). The mufflers use the same internal cores and designs so they sound and perform the same, regardless of the outer style.

The two styles are:

Neighbor Haters: NH50 NH50 909

Compared with the stock system (with its single large diameter catalytic converter in the head pipe), the Cobra systems locate a high-flow, high-performance catalytic converter in each muffler. This positions the cat rearward, behind the passenger's feet and the rider's calf and lower thigh, providing a much cooler area around the foot controls and engine bay.

These systems produce noticeable performance gains over stock. And the sound is much improved as well.

Each system is available in a chrome or black finish.

The system is sold complete. You cannot purchase the mufflers separately from the head pipe, nor the head pipe without the mufflers.



This product is covered under a CARB EO and is legal for sale and use in all 50 states.





50-STATE FULL SYSTEMS

- 60-1000 M8 Bagger 17-24
 - 60-1000B M8 Bagger 17-24 (Black)
 - 60-1020 909 M8 Bagger 17-24
 - 60-1020B 909 M8 Bagger 17-24 (Black)
-



This product is covered under a CARB EO
and is legal for sale and use in all 50 states.



GEN² Neighbor Haters[®]

GEN² NEIGHBOR HATERS[®]: 4-INCH SLIP-ONS

It's true. With the Gen² NH mid-range does not cut it. Nope. You need that rocking bass that burbles to the surface due to the subterranean cave dwellers. At least that was our goal.

- Chrome 4.0-inch body, black outer tip, chrome inner tip
- Black 4.0-inch body, black outer tip, gloss black inner tip
- 4-inch versions for M8 use 2.5-inch louvered cores
- 4-inch versions for Twin Cams use a 2.25-inch louvered cores
- Comes with black, machined aluminum tips with contrasting dual grooves
- Provides enhanced sound and improved tunability for performance gains
- Made in the USA.

GEN² NEIGHBOR HATERS[®]: 4-INCH SLIP-ONS

6276	Bagger 95-16	\$668.99
6276RB	Bagger 95-16 (Black)	\$617.99
6277	Bagger 17-24	\$668.99
6277RB	Bagger 17-24 (Black)	\$617.99

4

This product does not require an E0 in California. By nature of its design, it is legal for sale and use in all 50 states. Replacement parts included.



A bit more good neighbor than hate your neighbor, the 4.5-inch Gen² prioritizes better sound and performance over a “just make it loud” ethos. Sort of like passing on a concert by Poison and going to hear Barry White instead. Both great, but different. When you want that deep thumpity, thumpity, thump that originates deep below the earth’s crust, this is where you start.



GEN² Neighbor Haters[®]

GEN² NEIGHBOR HATERS[®]: 4.5-INCH UPPER CUT

- Black 4.5-inch body, rolled end tip with gloss black inner tip
- Upper Cut design where the angle matches the line of the stock bags
- 4.5-inch versions use 2.25-inch louvered cores
- Fits extended stock bags

GEN ² NEIGHBOR HATERS [®] : 4.5-INCH UPPER CUT		
6288RB	Bagger 95-16 (Black)	\$562.99
6289RB	Bagger 17-24 (Black)	\$562.99


GEN² NEIGHBOR HATERS[®]: 4.5-INCH ROUND

- Chrome 4.5-inch body, black outer tip, chrome inner tip
- Black 4.5-inch body, back outer tip, black inner tip
- 4.5-inch versions use 2.25-inch louvered cores
- Provides enhanced sound and improved tunability for performance gains

GEN ² NEIGHBOR HATERS [®] : 4.5-INCH ROUND		
6290	Bagger 95-16	\$701.99
6290RB	Bagger 95-16 (Black)	\$661.99
6291	Bagger 17-24	\$701.99
6291RB	Bagger 17-24 (Black)	\$661.99

4

This product does not require an E0 in California. By nature of its design, it is legal for sale and use in all 50 states. Replacement parts included.



BAGGER 4" Slip-Ons

NEIGHBOR HATERS® MUFFLERS

Let's be honest here. These NH slip-ons lack any moral constraints. Now if you want more polite company, we'd be happy to direct you to some of our more circumspect products. But you're here, so. ... Look they may not be the loudest chunk of steel you can bolt on your bagger, but for the combination of great and loud sound, they are tough to beat. Don't believe us? Ask the guy reading the paper.

- Destined for V-Twin glory the Cobra Neighbor Haters mufflers boast a soul-lifting boom.
- We offer these in two versions for the Baggers: The first uses 4-inch bodies that bell out to 4.5-inches at the rear which features a smooth rolled end.
- That shape adds a megaphone enhancement to the sound, and the mechanical core exits in a trumpet-bell shape that allows the V-Twin sound track to flow at full song.
- The second version of our NH muffler is our 4-inch with beautifully machined aluminum tips which feature dual cuts finished in black with machined alluvial flutes.
- It's a muffler for the rider who thinks, too loud, is just right.

NEIGHBOR HATERS MUFFLERS

6107	Bagger 95-16	\$547.99
6107RB	Bagger 95-16 (Black)	\$518.99
6109	Bagger 17-24	\$547.99
6109RB	Bagger 17-24 (Black)	\$518.99
6266	Dual Cut Tip Bagger 95-16	\$871.99
6267	Dual Cut Tip Bagger 17-24	\$871.99
6267RB	Dual Cut Tip Bagger 17-24 (Black)	\$827.99

Note: For Milwaukee Eight engines the NH, Dual Cut, 909, 909 Uppercut all use the Neighbor Haters core.



4

This product does not require an EO in California. By nature of its design, it is legal for sale and use in all 50 states. Replacement parts included.





909 MUFFLERS

- These 4-inch round mufflers are unique on several fronts.
- First, the rear is finished with a rolled scalloped tip, not a simple slash cut.
- That rolled tip is matched with an inner core finished with the same scalloped cut.
- The inner tip is actually part of the constant velocity, tuned core that gives the muffler its great sound and performance.
- Also, there are no unsightly external screws holding in the tip or core giving the muffler a smooth undisturbed finish from front to back.
- Available in two versions, the original with the scalloped tip and an Uppercut version.
- The 909 Uppercut version follows the angle of the stock bags.

6106	Bagger 95-16	\$547.99
6106RB	Bagger 95-16 (Black)	\$518.99
6108	Bagger 17-24	\$547.99
6108RB	Bagger 17-24 (Black)	\$518.99
6302	Freewheeler/RG3 15-16	\$496.99
6303	Tri-Glide 09-16	\$496.99
6303RB	Tri-Glide 09-16	\$518.99

UPPERCUT MUFFLERS

6268	Bagger 95-16	\$547.99
6268RB	Bagger 95-16 (Black)	\$518.99
6269	Bagger 17-24	\$547.99
6269RB	Bagger 17-24 (Black)	\$518.99



This product does not require an EO in California. By nature of its design, it is legal for sale and use in all 50 states. Replacement parts included.



DISCLAIMER: NOT LEGAL FOR SALE OR USE IN CALIFORNIA ON ANY POLLUTION CONTROLLED MOTOR VEHICLE.
THE SALE, USE, OR INSTALLATION OF THIS PRODUCT MAY ALSO BE ILLEGAL NATIONWIDE UNDER THE FEDERAL CLEAN AIR ACT (42 U.S.C. § 7522(A)(3)).

COBRAUSA.COM

BAGGER 4.5" Slip-Ons

RACE PROS

The Race Pros' distinctive black clamshell style clamp is just one thing that sets this muffler apart from all others. It's matched by the black tip held in place with seven, zinc-plated 12-point bolts. Its 4-inch muffler body bells out to 4.5-inches at the rear.

6216	Bagger 17-24	\$912.99
------	--------------	----------

BLACK-ON-BLACK

6216RB	Bagger 17-24	\$976.99
--------	--------------	----------



RACE PRO 4.5-INCH MUFFLERS



This product does not require an E0 in California. By nature of its design, it is legal for sale and use in all 50 states. Replacement parts included.



There Are Two Things Our Customers Tend To Ignore. Shaving And Noise Ordinances.



POWER-FLO

The Power-Flo's 4-inch diameter muffler front expands smoothly toward the rear to reach a 4.5-inch diameter, that is capped by a thin-line, beveled aluminum tip. The Power-Flo muffler is also available with the black Race Pro style tip and its seven, zinc-plated 12-point bolts.

POWER-FLO 4.5-INCH MUFFLERS

6214	Bagger 17-24	\$937.99
6214RB	Bagger 17-24 (Black)	\$976.99



This product does not require an EO in California. By nature of its design, it is legal for sale and use in all 50 states. Replacement parts included.



DISCLAIMER: NOT LEGAL FOR SALE OR USE IN CALIFORNIA ON ANY POLLUTION CONTROLLED MOTOR VEHICLE. THE SALE, USE, OR INSTALLATION OF THIS PRODUCT MAY ALSO BE ILLEGAL NATIONWIDE UNDER THE FEDERAL CLEAN AIR ACT (42 U.S.C. § 7522(A)(3)).

COBRAUSA.COM

EL DIABLO

Slip-On

With our El Diablo Slip-on, we've brought back a megaphone muffler, but updated and restyled for these modern times. These have the classic megaphone shape capped with a large machined aluminum tip that has our Cobra logo engraved on top. They deliver a deep sonic thump thanks to its lowered cores that keeps that powerful V-Twin rhythm going for miles and miles. It's available in chrome or black.

6208	Bagger 17-24	\$868.99
6208RB	Bagger 17-24 (Black)	\$882.99



This product does not require an EO in California. By nature of its design, it is legal for sale and use in all 50 states. Replacement parts included.





3-INCH MUFFLERS

These 3-inch slip-on mufflers (in our slash cut aluminum tip or in the RPT (Race Pro Tip) versions offer performance and style without breaking the bank. The 2-inch core, surrounded with a special e-glass packing and a stainless-steel mesh screen, offers the best performance and sound quality available in a 3-inch diameter muffler body. The standard 3-inch bodies include aluminum slash-cut tips, and the tips can be mounted in one of three positions. The RPT bodies begin at 3-inches up front and expand to 3.5-inches at the rear. On the black bodies the tip is clear coated, machined aluminum, while the chrome version offers a black tip.

THREE-INCH SLIP-ON MUFFLERS WITH SLASH CUT TIP

6020	Bagger 95-16	\$518.99
------	--------------	----------

REPLACEMENT CORES - 2"

9025	Fits Cobra part #6020	\$55.99 ea
------	-----------------------	------------

REPLACEMENT CORES - 1-3/4"

9028	Fits Cobra part #6020	\$55.99 ea
------	-----------------------	------------

3-INCH MUFFLERS WITH RACE PRO TIP

6070	Bagger 95-16	\$518.99
6070RB	Bagger 95-16 (Black)	\$540.99
6071	Bagger 17-24	\$518.99
6071RB	Bagger 17-24 (Black)	\$514.99



This product does not require an EO in California. By nature of its design, it is legal for sale and use in all 50 states. Replacement parts included.



BAGGER Head Pipes

MILWAUKEE EIGHT™ HEAD PIPES

- Exhaust head pipes must evolve along with the top end of the motorcycle's engine if they are to be efficient, make power, and emit less heat than a stock system.
- For the Milwaukee Eight motor, we modified our famous Cobra PowerPort by enlarging it to become a pulse chamber that accelerates exhaust scavenging to produce the kind of power riders expect.
- The round shape, bulging from between the heat shields, gives a clue to the real power potential it offers.
- It does not include mufflers.
- Offered in a dual-bung option.
- **NOTE: Stock H-D mufflers will not work with this head pipe because of the stock muffler's internal construction. Most after-market mufflers will fit.**

DUAL BUNGS

6255DB	Bagger 17-24	\$871.99
6255DBRB	Bagger 17-24	\$868.99



3

This product is not legal for street use on an emissions-controlled vehicle. It may be used on dedicated competition or pre-pollution-controlled vehicles only.





DUAL BUNGS

6253DB1	Bagger 09-16	\$871.99
6253DBRB1	Bagger 09-16 (Black)	\$878.99



TWIN CAM POWERPORT DUAL HEAD PIPES

- The PowerPort Dual Head Pipes make use of our strategically located PowerPort cross over to deliver 2-into-1 power with the look of a traditional dual system.
- The head pipes fatten the low-end and mid-range torque curve perfect for touring and highway use.
- The system consists of the head pipes, PowerPort cross under section, heat shields and all of the mounting hardware needed
- It does not include mufflers.

TRUE DUAL HEAD PIPES

- Our 6250 and 6251 True Dual head pipes for 2008 and earlier Baggers, and now our 6257 system for the 2017 and later baggers feature one-piece, full length, 2.5-inch-diameter heat shields that cover the exhaust pipes from the ports to the chromed muffler bodies.
- We designed these pipes to deliver optimal torque and power while increasing the stock bike's rideability.
- The system consists of head pipes and heat shields and all the mounting hardware required.
- It does not include mufflers.
- The 6250 and 6251 head pipes' 1.75-inch diameter ensures the stock mufflers and most aftermarket mufflers will fit.
- The 6257 head pipes for 2017 and newer engines feature the 2.5-inch diameter right side pipe, requiring mufflers designed for the M 8 Baggers.
- The 6251 and 6257 systems are equipped with oxygen sensor bungs.

TRUE DUAL HEADPIPES

6250	Bagger 95-06	\$661.99
6250RB	Bagger 95-06 (Black)	\$653.99
6251	Bagger 07-08	\$661.99
6251RB	Bagger 07-08 (Black)	\$653.99
6257	Bagger 17-24	\$745.99
6257RB	Bagger 17-24 (Black)	\$691.99



This product is not legal for street use on an emissions-controlled vehicle. It may be used on dedicated competition or pre-pollution-controlled vehicles only.



DISCLAIMER: NOT LEGAL FOR SALE OR USE IN CALIFORNIA ON ANY POLLUTION CONTROLLED MOTOR VEHICLE. THE SALE, USE, OR INSTALLATION OF THIS PRODUCT MAY ALSO BE ILLEGAL NATIONWIDE UNDER THE FEDERAL CLEAN AIR ACT (42 U.S.C. § 7522(A)(3)).

COBRAUSA.COM

BAGGER Turnout 2-Into-1

TURNOUT 2-INTO-1 EXHAUST

Our headpipes merge into a large 2.25-inch collector that steps up to a 2.5-inch core. We perforated the core and wrapped it in a stainless steel screen then enclosed it in a fiberglass pillow to get the performance and sound we wanted.

We then covered the collector with a large one-piece heat shield that is held in place with two clamps and stamped the Cobra logo on it as well. We used a 4-inch muffler body capped with a 4-inch machined aluminum dual-cut tip that features small aluvial flutes. And it works with either stock or extended bags.

Available in chrome or black, both with a black tip.

TURNOUT 2-INTO-1 EXHAUST

6270-1	Bagger 09-16	\$1,130.99
6270B-1	Bagger 09-16 (Black)	\$1,255.99
6271-1	Bagger 17-24	\$1,130.99
6271B-1	Bagger 17-24 (Black)	\$1,255.99



3

This product is not legal for street use on an emissions-controlled vehicle. It may be used on dedicated competition or pre-pollution-controlled vehicles only.



BAGGER 2-Into-1



POWERFLO EL DIABLO 2-INTO-1 EXHAUST

- Our 2-into-1 for the Milwaukee Eight engine uses a 2.5-inch collector, which creates big horsepower and torque.
- The muffler uses a PowrFlo 4.5-inch shell, with a 3-inch stepped baffle wrapped with a sealed pillow of sound absorbing material which provides a deep rumble.
- The rear is finished off with our El Diablo style billet tip, which is powder coated in black and etched with the Cobra logo.
- COMES WITH DUAL BUNGS

POWR-FLO 2-INTO-1 EXHAUST (EL DIABLO TIP)

6451	Bagger 17-24	\$1,036.99
6451RB	Bagger 17-24 (Black)	\$1,141.99

HP POWER PRO 2-INTO-1 EXHAUST

- Bagger and horsepower are not mutually exclusive terms, and in fact when you are looking to get the most performance out of your Bagger's engine, look no further than this HP Power Pro 2-into-1.
- It performs at the top of its class in terms of performance, and it also delivers a bump in torque.
- The muffler is capped with a machined aluminum tip that gives the system its polished finish.

HP POWER PRO 2-INTO-1 EXHAUST

6430	*Bagger 95-06	\$898.99
6431	*Bagger 07-08	\$898.99

*Pipes extend to end of saddlebags.



This product is not legal for street use on an emissions-controlled vehicle. It may be used on dedicated competition or pre-pollution-controlled vehicles only.



DISCLAIMER: NOT LEGAL FOR SALE OR USE IN CALIFORNIA ON ANY POLLUTION CONTROLLED MOTOR VEHICLE. THE SALE, USE, OR INSTALLATION OF THIS PRODUCT MAY ALSO BE ILLEGAL NATIONWIDE UNDER THE FEDERAL CLEAN AIR ACT (42 U.S.C. § 7522(A)(3)).

COBRAUSA.COM

BAGGER Speedsters

SPEEDSTER DUALS WITH FISHTAIL TIPS		
6974	Bagger 10-16	\$1,130.99
6975	Bagger 17-24	\$1,130.99



SPEEDSTER DUALS EXHAUST

This system combines the Power-Port Duals head pipe design and the famous Cobra Speedster blueprint for a sleek dual style with an extra kick. Full-length, 2.5-inch, single heat shields give a full seamless appearance. Straight-cut, chromed billet tips finish off the pipes. **Now available with Fishtail tips.**

SPEEDSTER LONG EXHAUST

The Cobra Speedster Longs balance out the longer look of today's Cruisers. Full-length, 2.5-inch-diameter heat shields wrap 222° around the exhaust pipe beginning at the cylinder heads before flowing down to the end of the pipe where they are capped off with machined and chromed billet tips.



SPEEDSTER SHORT SWEPT EXHAUST

The Cobra Speedster exhaust is our top-of-the-line system, here seen in our Short Swept version. Speedsters display a classic 2-into-2 style, while offering uncommon beauty and superior performance. Full-length 2.5-inch diameter heat shields wrap 222° around the exhaust pipe beginning at the exhaust ports and flowing down to the end of the pipe. It's a stylish system that also uncorks the stock bike's sound and performance.



SPEEDSTER SHORT SWEPT EXHAUST		
6230	Bagger 10-16	\$942.99
6230B	Bagger 10-16 (Black)	\$1,071.99
6231B	Bagger 17-24 (Black)	\$1,071.99

SPEEDSTER DUALS EXHAUST		
6973	Bagger 10-16	\$819.99
6973B	Bagger 10-16 (Black)	\$878.99

3

This product is not legal for street use on an emissions-controlled vehicle. It may be used on dedicated competition or pre-pollution-controlled vehicles only.



All Roads
Lead Back To
Yorba Linda



TRIKE Products

FREEWHEELER/RG3 MUFFLERS

- These slip-on mufflers were designed specifically for the Harley-Davidson Freewheeler/RG3 model.
- In fact, the Freewheeler/RG3 specific fitment has approximately the same end point as the stock mufflers.
- When used with the stock head pipes, the mufflers are a simple bolt on installation.
- We built chromed 3.75-inch muffler bodies that bell out at the end to four inches.
- They are capped off with black powder-coated, machined aluminum race pro tips.

BUMPER

This bumper is a simple bolt-on upgrade for your Freewheeler/RG3 trike. It uses laser cut brackets, for a precision fit and finish. The bumper's graceful bend follows the trike's lower trunk curve for an OEM look and fit. The bumper itself is chrome plated, while the lower mounting brackets are powder coated black.

LUGGAGE RACK

Our sturdy Freewheeler/RG3 tube luggage rack mounts directly to the trike's trunk lid. It mounts in the same way and location of the H-D version. Thus, it requires four holes to be drilled in the trunk using the designated OEM mounting locations. The chrome plated rack has an upward bend at the rear to help secure items bungeed or lashed onto it.



FREEWHEELER/RG3 MUFFLERS
6300 Freewheeler/RG3 15-24 \$912.99



602-3100 Trunk Guard Freewheeler/RG3 15-24 \$315.99

602-3000 Tube Luggage Rack Freewheeler/RG3 15-24 \$264.99

4

This product does not require an EO in California. By nature of its design, it is legal for sale and use in all 50 states. Replacement parts included.



COBRA
RIDE
LOUD
PARTS



4-INCH SLIP-ONS

The 909 and Neighbor Haters slip-on mufflers are among the most popular for the Trikes. On the Freewheeler/RG3 the standard NH extends about 1.5-inches beyond the bodywork while the 909 sits the same as the stock. Both feature a rolled steel end.

4-INCH SLIP-ONS

6107	Freewheeler/RG3 15-24	\$547.99
6107	Tri Glide 09-24	\$547.99
6107RB	Tri Glide 09-24	\$518.99
6302	Freewheeler/RG3 15-24	\$496.99
6303	Tri Glide 09-24	\$496.99
6303RB	Tri Glide 09-24 (Black)	\$518.99

TRI GLIDE MUFFLERS

Designed specifically for Harley's big trike, the Cobra mufflers use 3.75-inch muffler bodies capped off with machined 3.5-inch, radial slash cut aluminum tips that step up to the bodies via a mild yet graceful double bevel. This configuration allows the Cobra tips to have the ground clearance equal to or in sometimes greater than the stock system.

6301	Tri Glide 09-24	\$912.99
------	-----------------	----------



4

This product does not require an E0 in California. By nature of its design, it is legal for sale and use in all 50 states. Replacement parts included.

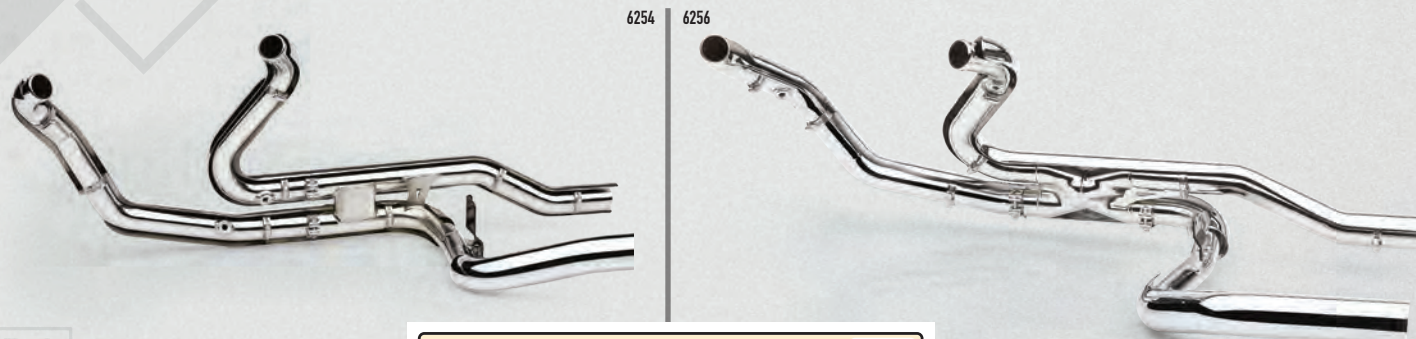


TRIKE HEAD PIPES

Designed specifically for HD trike models, these head pipes are a direct bolt on for both Freewheeler/RG3, and Tri Glide models. They have the "S" bends built into the pipe, eliminating the need for after-market adapters.

Includes oxygen sensor bungs.

- NOTE: Fitment of the #6253DB1 Cobra headpipes (or any other non-Cobra after-market head pipes) requires Cobra's "S" bend adapter kit, Cobra part #6201T.



3

This product is not legal for street use on an emissions-controlled vehicle. It may be used on dedicated competition or pre-pollution-controlled vehicles only.



6253DB1	Tri Glide 2009	\$871.99
6254	Freewheeler/RG3 & Tri Glide 10-24	\$827.99
6254RB	Freewheeler/RG3 & Tri Glide 10-24 (Blk)	\$817.99
6256	Freewheeler/RG3 & Tri Glide 17-24	\$827.99
6256RB	Freewheeler/RG3 & Tri Glide 17-24 (Blk)	\$817.99



DISCLAIMER: NOT LEGAL FOR SALE OR USE IN CALIFORNIA ON ANY POLLUTION CONTROLLED MOTOR VEHICLE. THE SALE, USE, OR INSTALLATION OF THIS PRODUCT MAY ALSO BE ILLEGAL NATIONWIDE UNDER THE FEDERAL CLEAN AIR ACT (42 U.S.C. § 7522(A)(3)).

COBRAUSA.COM

EL DIABLO 2-Into-1 Exhaust



When you are hell bent for leather, you'd best do it by way of chromed steel. Case in point? Our El Diablo 2-into-1 systems. More power, more sound over stock makes this the straw in the performance mix to wake up your Sporty, Softail, or Dyna. These systems come in chrome or black.

One quick and easy way to increase your bike's horsepower is to install one of our 2-into-1 systems. Our latest upswept 2-into-1 for the Softails, Dynas and Sportsters uses equal length headers, mated to a cone megaphone.

The 4-inch machined aluminum tip is powder coated black, and engraved with the Cobra logo. The tip's reverse cone shape tastefully compliments the upswept muffler. Heat shields cover the exhaust headers and the collector nestles beneath a simple chromed or black cover.



EL DIABLO 2-INTO-1 MEGAPHONE EXHAUST

6471*	Sportster 86-03	\$658.99
6471B*	Sportster 86-03 (Black)	\$710.99
6472	Sportster 07-13	\$913.99
6472B	Sportster 07-13 (Black)	\$968.99
6473**	Sportster 14-22	\$913.99
6473B**	Sportster 14-22 (Black)	\$968.99
6474B	FXFB/S 18-21 (Black)	\$968.99
6475	FLFB/S,FXBR/S,FXDR 18-24	\$913.99
6476	Dyna 06-11	\$913.99
6476B	Dyna 06-11 (Black)	\$968.99
6477	Dyna 12-17	\$913.99
6477B	Dyna 12-17 (Black)	\$968.99
6479	FLHC/S,FLSB 18-24	\$913.99
6479B	FLHC/S,FLSB 18-24 (Black)	\$968.99
6483	Softails 12-17	\$913.99
6483B	Softails 12-17 (Black)	\$968.99
6484	Softails 07-11	\$913.99
6484B	Softails 07-11 (Black)	\$968.99
6485	Softails 86-06	\$913.99
6485B	Softails 86-06 (Black)	\$968.99
6478	FXBB, FXLR/S, FLSL, FLDE 18-24	\$913.99
6478B	FXBB, FXLR/S, FLSL, FLDE 18-24 (Black)	\$968.99

*Will not fit models with forward control footpegs

**Will not fit Superlow

3

This product is not legal for street use on an emissions-controlled vehicle. It may be used on dedicated competition or pre-pollution-controlled vehicles only.





POWER PRO 2-Into-1 Exhaust

The Power Pro 2-into-1 is better than a three-pound hammer. Lots of power in a compact package.

When you are looking to get the most performance out of your Sporty's or Big-Twin's engine, look no further than this HP Power Pro 2-into-1. It performs at the top of its class in terms of brute power, but it also delivers a noticeable surge in low- and mid-range torque. That surge hits right where you need it the most, when you jump on the throttle to pass that line of motorhomes choking that road to freedom. The news gets even better when you consider the styling, which includes Cobra's unique collector area heat shield that conceals the collector junction. The muffler is capped with a machined aluminum tip that gives the system its polished finish. All that's why this system earns Cobra's Lifetime Warranty.

PART # 6468 - POWER PRO WITH RACE PRO TIP



POWER PRO HP 2-INTO-1 EXHAUST

6420	Softail 86-06	\$871.99
6421	Softail 07-11	\$898.99
6422	Softail 12-17	\$898.99

POWER PRO HP 2-INTO-1 EXHAUST WITH RACE PRO TIP

6468	Dyna 12-17	\$898.99
6468B	Dyna 12-17 (Black)	\$992.99



This product is not legal for street use on an emissions-controlled vehicle. It may be used on dedicated competition or pre-pollution-controlled vehicles only.



DISCLAIMER: NOT LEGAL FOR SALE OR USE IN CALIFORNIA ON ANY POLLUTION CONTROLLED MOTOR VEHICLE. THE SALE, USE, OR INSTALLATION OF THIS PRODUCT MAY ALSO BE ILLEGAL NATIONWIDE UNDER THE FEDERAL CLEAN AIR ACT (42 U.S.C. § 7522(A)(3)).

COBRAUSA.COM

SPEEDSTERS Exhaust

The Cobra Speedster exhaust is our top-of-the-line system. Speedsters display a classic 2-into-2 style, while offering uncommon beauty and superior performance. Full-length 2.5-inch diameter heat shields wrap 222° around the exhaust pipe beginning at the exhaust ports and flowing down to the end of the pipe where they are capped off with chromed billet tips on all but the Swept versions. It's a stylish system that also uncorks the stock bike's sound and performance.

That's because the Speedsters offer class-leading performance due in large part to the Cobra PowerPort, an engineering advancement that provides a jump in horsepower and torque over the stock motorcycle.


The PowerPort also improves the overall rideability while remaining discreetly out of sight. And it does that while retaining all the great sound and style you expect from Cobra.

POWERPORT

We designed the PowerPort to provide a significant performance increase similar to what you would expect to gain with a 2-into-1 system. We spent a lot of time in the dyno room with the PowerPort to achieve that power gain and also to improve the overall rideability of the motorcycle. Best of all, the PowerPort works while tucked away almost unseen behind the Speedster's full-length heat shields. We also located the PowerPort in the muffler section that allows for an easier installation because the customer can install the head pipes individually.



3 This product is not legal for street use on an emissions-controlled vehicle. It may be used on dedicated competition or pre-pollution-controlled vehicles only.





SPEEDSTERS 909 Exhaust

The 909 Speedsters have the unique blend of performance, sound, style and price. First like all of our Speedsters, these feature the PowerPort cross over which delivers class-leading power. That's a critical feature when you are using such a short system. Then we expand the end and roll the tips to give a brawny look that is matched by the sound. These use the same internal construction as our short RPT system so you also enjoy the same premium sound. And you just can't beat the price. Throw in our limited lifetime warranty and you've got a rock solid system.



6701*	Sportster 86-03	\$526.99
6701B*	Sportster 86-03 (Black)	\$550.99
6704	Sportster XL 07-13	\$573.99
6704B	Sportster XL 07-13 (Black)	\$595.99
6705**	Sportster XL 14-22	\$573.99
6705B**	Sportster XL 14-22 (Black)	\$595.99
6709	Dyna 06-11	\$603.99
6709B	Dyna 06-11 (Black)	\$628.99
6708	Dyna 12-17	\$603.99
6708B	Dyna 12-17 (Black)	\$628.99
6711	Softails 12-17	\$603.99
6711B	Softails 12-17 (Black)	\$628.99
6712	FXBB, FXLR/S, FLSL, FLDE 18-24	\$603.99
6712B	FXBB, FXLR/S, FLSL, FLDE 18-24 (Black)	\$628.99
6713B	FLHC/S, FLSE 18-24 (Black)	\$628.99
6714	FXFB/S 18-24	\$603.99
6714B	FXFB/S 18-24 (Black)	\$628.99
6715	FLFB/S, FXBR/S, FXDR 18-24	\$574.99
6715B	FLFB/S, FXBR/S, FXDR 18-24 (Black)	\$628.99

*Will not fit models with forward control footpegs or passenger footpegs

**Will not fit Superlow



This product is not legal for street use on an emissions-controlled vehicle. It may be used on dedicated competition or pre-pollution-controlled vehicles only.



DISCLAIMER: NOT LEGAL FOR SALE OR USE IN CALIFORNIA ON ANY POLLUTION CONTROLLED MOTOR VEHICLE. THE SALE, USE, OR INSTALLATION OF THIS PRODUCT MAY ALSO BE ILLEGAL NATIONWIDE UNDER THE FEDERAL CLEAN AIR ACT (42 U.S.C. § 7522(A)(3)).

COBRAUSA.COM

SPEEDSTERS Short RPT

The Speedster Short exhaust with Race Pro Tips (RPT) make use of all of the high-tech features of our regular 2.5-inch Speedster systems. It uses the PowerPort for increased power and uses 1.75-inch constant velocity cores for exceptional sound and performance.

The RPT designation comes from adapting the design from our Race Pro 4-inch muffler into this full system. The 2.5-inch heat shields expand to 2.75-inches at the end. The tips mimic the Race Pro machined design, and are held in place with 12-point bolts. On the black version the tip is clear coated, machined aluminum, while the chrome version offers a black tip.



COBRA
USA


SPEEDSTER SHORT EXHAUST WITH RACE PRO TIP

6785B*	Sportster XL 14-22 (Black)	\$930.99
6792B	FXBB, FXLR/S, FLSL, FLDE 18-24 (Black)	\$885.99
6795	FLFB/S, FXBR/S, FXDR 18-24	\$868.99
6795B	FLFB/S, FXBR/S, FXDR 18-24 (Black)	\$930.99

*Will not fit Superlow

3

This product is not legal for street use on an emissions-controlled vehicle. It may be used on dedicated competition or pre-pollution-controlled vehicles only.





SPEEDSTERS Swept Exhaust



The curves on the road are nothing compared to what we're seeing in some of the latest cruisers—and exactly why not just any pipe design will do. Enter the Speedster Swept.

A real work of metallurgical art, the high sweeping lines of these pipes are truly breathtaking. Like our flagship Speedsters, the Swepts also include Cobra's PowerPort, which gives them 2-into-1 power while maintaining the great 2-into-2 look.

These Swept exhausts are then given full-length, triple-layer chrome 2.5-inch heat shields covering 1.75-inch head pipes.

SPEEDSTER SHORT SWEPT EXHAUST

6223*	Softail 86-06	\$942.99
6224*	Softail 07-11	\$942.99
6224B*	Softail 07-11 (Black)	\$1,071.99
6225*	Softail 12-17	\$942.99
6225B*	Softail 12-17 (Black)	\$1,071.99
6226*	Softail FXSB 13-17	\$942.99
6227B	Dyna 06-11 (Black)	\$1,071.99
6229	Dyna 12-17	\$942.99
6229B	Dyna 12-17 (Black)	\$1,071.99
6230	Bagger 10-16	\$942.99
6230B	Bagger 10-16 (Black)	\$1,071.99
6231B	Bagger 17-22 (Black)	\$1,071.99
6233*	Sportster 14-22	\$942.99
6233B*	Sportster 14-22 (Black)	\$1,071.99

*The installation of this system requires the removal of the stock right-side passenger foot rest. For riders who need a rear foot rest, we offer an optional passenger peg relocation bracket which permits the stock peg to be reinstalled.

PASSENGER FOOTPEG RELOCATION

606-6220	Softail 86-16	\$46.99
606-6462	Sportster 14-22	\$157.99



3

This product is not legal for street use on an emissions-controlled vehicle. It may be used on dedicated competition or pre-pollution-controlled vehicles only.



DISCLAIMER: NOT LEGAL FOR SALE OR USE IN CALIFORNIA ON ANY POLLUTION CONTROLLED MOTOR VEHICLE. THE SALE, USE, OR INSTALLATION OF THIS PRODUCT MAY ALSO BE ILLEGAL NATIONWIDE UNDER THE FEDERAL CLEAN AIR ACT (42 U.S.C. § 7522(A)(3)).

COBRAUSA.COM

SPEEDSTERS

Additional Speedster offerings include our Speedster Long and our Speedster Slashdown models. Like all other Speedsters they include full-length heatshields as well as the Power Port crossover, which provides a jump in horsepower and torque over the stock motorcycle. The crossover also contributes to the Speedsters' pleasing exhaust note, rounding off the sharp edges of the exhaust sound profile.

SPEEDSTER SLASHDOWN EXHAUST

6850	Softail 86-06	\$868.99
6851	Softail 07-11	\$878.99
6852	Softail 12-17	\$878.99
6852B	Softail 12-17 (Black)	\$948.99
6853	FXBB, FXLR/S, FLFL, FLDE 18-24	\$878.99
6853B	FXBB, FXLR/S, FLFL, FLDE 18-24 (Black)	\$948.99
6863	FLFB/S, FXBR/S, FXDR 18-24	\$878.99
6855	Dyna 91-05	\$878.99
6857	Dyna 06-11	\$878.99
6858	Dyna/FLD 12-17	\$878.99
6858B	Dyna/FLD 12-17 (Black)	\$948.99
6882	Sportster 883/1200 04-06	\$868.99

SPEEDSTER X LONG SLASHDOWN EXHAUST

6959	Switchback 12-17	\$878.99
------	------------------	----------

SPEEDSTER LONG EXHAUST

6950T	Softail 86-06	\$854.99
6951T	Softail 07-11	\$878.99
6952T	Softail 12-17	\$878.99
6957T	Dyna 06-11	\$878.99

*Pipes extend to end of saddlebags.



3

This product is not legal for street use on an emissions-controlled vehicle. It may be used on dedicated competition or pre-pollution-controlled vehicles only.





DRAGSTER Exhaust



6810T	Softail 86-06	\$771.99
6811T	Softail 07-11	\$771.99
6815T	Dyna 91-05	\$771.99



This product is not legal for street use on an emissions-controlled vehicle. It may be used on dedicated competition or pre-pollution-controlled vehicles only.



DISCLAIMER: NOT LEGAL FOR SALE OR USE IN CALIFORNIA ON ANY POLLUTION CONTROLLED MOTOR VEHICLE. THE SALE, USE, OR INSTALLATION OF THIS PRODUCT MAY ALSO BE ILLEGAL NATIONWIDE UNDER THE FEDERAL CLEAN AIR ACT (42 U.S.C. § 7522(A)(3)).

COBRAUSA.COM

3-INCH Mufflers

- We offer three 3-inch slip-ons: The Neighbor Haters, The RPT, and the slash-cut tip.
- Each uses a 2-inch constant velocity core for exceptional sound and performance, surrounded by a stainless-steel mesh encased in a bonded e-glass tube.
- The Neighbor Haters have a simple belled rolled end with an inner steel tip.
- On the RPT black version, the tip is clear coated, machined aluminum, while the chrome version offers a black tip.
- The standard 3-inch mufflers use a straight canister with a slash style tip that can be locked in different positions to create the look the rider desires.
- Available in black or chrome.

3

This product is not legal for street use on an emissions-controlled vehicle. It may be used on dedicated competition or pre-pollution-controlled vehicles only.

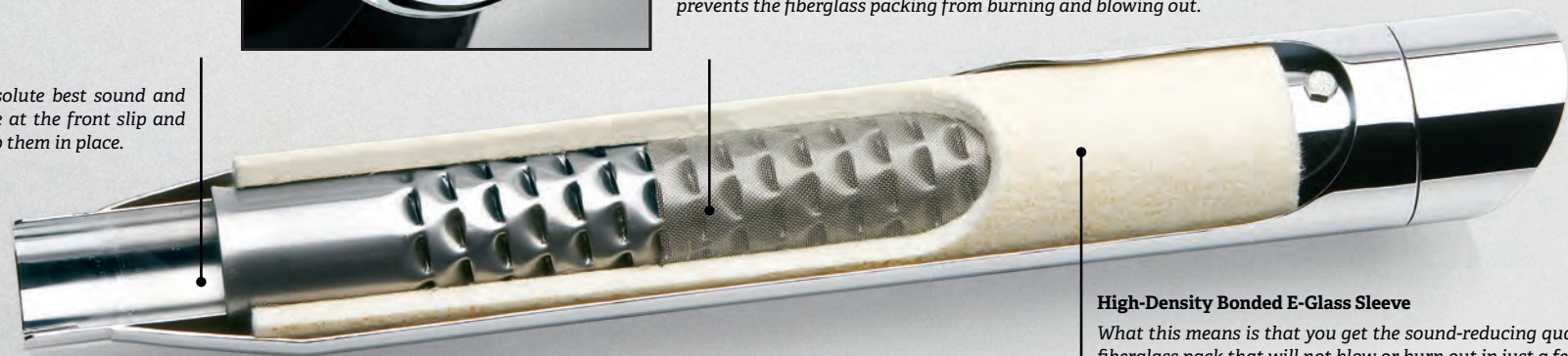


Stainless Steel Mesh

This wrap between the louvered baffle and the fiberglass sleeve adds an additional measure of protection for the e-glass sleeve, and prevents the fiberglass packing from burning and blowing out.

Two-Inch Constant-Velocity Baffle

We design our baffles to give the absolute best sound and performance. The baffles lock in place at the front slip and bolt to the billet tips at the rear to keep them in place.



High-Density Bonded E-Glass Sleeve

What this means is that you get the sound-reducing qualities of a fiberglass pack that will not blow or burn out in just a few miles.

SPORTSTER 3-Inch Mufflers



PART # 6081



PART # 6036



PART # 6031



SPORTSTER 91-22

Sportsters 04-13 except XL1200V

	Part #	Price
3-Inch Slashcut Chrome	6030	\$485.99
3-Inch Slashcut Black	6030RB	\$496.99
RPT Chrome	6080	\$507.99
RPT Black	6080RB	\$529.99
Neighbor Haters Chrome	6085	\$485.99
Neighbor Haters Black	6085RB	\$496.99

Sportsters 14-22

3-Inch Slashcut Chrome	6031	\$485.99
3-Inch Slashcut Black	6031RB	\$496.99
Heatshields Black	6031HSRB	\$236.99
RPT Chrome	6081	\$507.99
RPT Black	6081RB	\$529.99
Neighbor Haters Chrome	6086	\$485.99
Neighbor Haters Black	6086RB	\$496.99

Sportsters 91-03

Neighbor Haters Chrome	6036	\$413.99
------------------------	------	----------

REPLACEMENT CORES - 2"

\$55.99

9024 Fits Cobra part # 6000, 6001, 6002, 6003, 6004, 6005, 6006, 6050, 6051, 6052, 6053, 6054, 6056

REPLACEMENT CORES - 1-3/4"

\$55.99

9026 Fits Cobra part # 6030, 6031, 6055, 6057, 6058, 6080, 6081

REPLACEMENT CORES - 1-3/4"

\$55.99

9027 Fits Cobra part # 6000, 6001, 6002, 6003, 6004, 6005, 6006, 6050, 6051, 6052, 6053, 6054, 6056



3

This product is not legal for street use on an emissions-controlled vehicle. It may be used on dedicated competition or pre-pollution-controlled vehicles only.



DISCLAIMER: NOT LEGAL FOR SALE OR USE IN CALIFORNIA ON ANY POLLUTION CONTROLLED MOTOR VEHICLE. THE SALE, USE, OR INSTALLATION OF THIS PRODUCT MAY ALSO BE ILLEGAL NATIONWIDE UNDER THE FEDERAL CLEAN AIR ACT (42 U.S.C. § 7522(A)(3)).

COBRAUSA.COM

SOFTAIL 3-Inch Mufflers



PART # 6047



PART # 6057B



PART # 6520



PART # 6521

SOFTAIL 00-21

FLSTF 00-06, FXSTD 00-06

	Part #	Price
3-Inch Slashcut Chrome	6000	\$485.99
RPT Chrome	6050	\$507.99

FLSTF 07-17, FLSTFB 07-17, FXSTD 07-17

3-Inch Slashcut Chrome	6001	\$485.99
RPT Chrome	6051	\$507.99
RPT Black	6051B	\$529.99
Neighbor Haters Chrome	6041	\$485.99
Neighbor Haters Black	6041B	\$496.99

FLSTN 05-17, FLSTSB 08-11, FLS/S 12-17, FLSTFBS 16-17

3-Inch Slashcut Chrome	6002	\$485.99
RPT Chrome	6052	\$507.99
RPT Black	6052B	\$529.99
Neighbor Haters Chrome	6042	\$485.99
Neighbor Haters Black	6042B	\$496.99

FLSTC 07-17, FXCW/FXCWC 07-17, FXSB/FXSBS 07-17, FXST 07-17, FXSTB 07-17, FXSTC 07-17

3-Inch Slashcut Chrome	6003	\$485.99
RPT Chrome	6053	\$507.99
RPT Black	6053B	\$529.99
Neighbor Haters Chrome	6043	\$485.99

FXST 00-06, FXSTB 00-06, FXSTC 00-06, FXSTS 00-06, FLST 00-06, FLSTC 00-06

3-Inch Slashcut Chrome	6004	\$485.99
RPT Chrome	6054	\$507.99

FXBR/S 18-24, FLSL 18-24, FLFB/S 18-24, FXLR/S 18-24, FXBB 18-24, FXLRST 22-24

RPT Chrome	6057	\$507.99
RPT Black	6057B	\$529.99
Neighbor Haters Chrome	6047	\$485.99
Neighbor Haters Black	6047B	\$496.99

FLHC/S 18-24, FLDE 18-24

RPT Chrome	6058	\$507.99
RPT Black	6058B	\$529.99
Neighbor Haters Chrome	6048	\$485.99
Neighbor Haters Black	6048B	\$496.99

FLSB 18-24, 4-INCH MUFFLERS

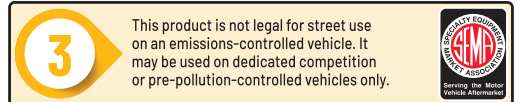
909-Twins Chrome	6520	\$374.99
909-Twins Black	6520B	\$370.99
Dual Cut Chrome	6521	\$529.99
Dual Cut Black	6521B	\$527.99

XG500/750 14-18

EL Diablo Black	6510B	\$450.99
-----------------	-------	----------

XG750A 17-18

EL Diablo Black	6511B	\$450.99
-----------------	-------	----------





PART # 6055

DYNA 3-Inch Mufflers

DYNA 91-17

FXD 95-10, FXDB 06-17, FXDL 99-09, FXDC 05-14,
FXDS 95-97/2000, FXDX 00-05, FXDXT 01-03,
FXDWG 95-08

	Part #	Price
3-Inch Slashcut Chrome	6005	\$485.99
RPT Chrome	6055	\$507.99
RPT Black	6055B	\$529.99
Neighbor Haters Chrome	6045	\$485.99
Neighbor Haters Black	6045B	\$449.99

FXDF 08-17, FXDWG 10-17, FXDLS 16-17

3-Inch Slashcut Chrome	6006	\$485.99
RPT Chrome	6056	\$507.99
Neighbor Haters Chrome	6049	\$485.99
Neighbor Haters Black	6049B	\$449.99

FLD 12-16

Scalloped Tip*	6209	\$456.99
----------------	------	----------

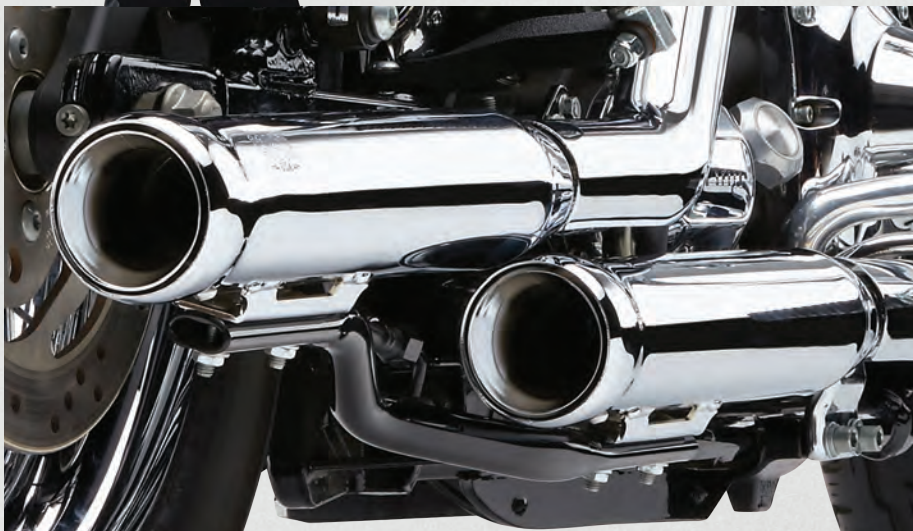
*Single Muffler



This product is not legal for street use on an emissions-controlled vehicle. It may be used on dedicated competition or pre-pollution-controlled vehicles only.



PART # 6045



PART # 6005



DISCLAIMER: NOT LEGAL FOR SALE OR USE IN CALIFORNIA ON ANY POLLUTION CONTROLLED MOTOR VEHICLE.
THE SALE, USE, OR INSTALLATION OF THIS PRODUCT MAY ALSO BE ILLEGAL NATIONWIDE UNDER THE FEDERAL CLEAN AIR ACT (42 U.S.C. § 7522(A)(3)).

COBRAUSA.COM

35

EL DIABLO Slip-Ons

FOR THE FAT BOB

The Milwaukee Eight powered Fat Bob is in a class by itself. We replaced the stock mufflers with our El Diablo slip-ons. These were made to look like they came with the bike. Our machined aluminum tips each have a lasered Cobra logo, and the mufflers aggressive style exemplifies the performance look and stance of the machine. Improved power and an incredible sound round out the package. Available in black with black tips.



6046B Softail (FXFB/S) 18-24 \$628.99



This product does not require an EO in California. By nature of its design, it is legal for sale and use in all 50 states. Replacement parts included.



BAD HOMBRE Duals



The Cobra Bad Hombre Dual exhaust system gives that classic dual exit look, while increasing performance.

The 1.75-inch exhaust tubing provides improved exhaust flow, and the 2.5-inch heat shields give the classic straight pipe look Softail riders prefer. The 24-inch muffler section ends roughly flush with the rear fender. The Fishtail style tip sticks out 6-inches further than the standard billet tip for a more custom look. Removable louvered baffles increase back-pressure and torque, as well as soften this exhaust system's bark. Offered with either 2.5-inch billet tips or a classic Fishtail style tip.

Includes oxygen sensor bungs.

- **NOTE: 2007 and up come with oxygen sensor bungs.**



BAD HOMBRE DUALS

6984	Softail 97-06	\$1,174.99
6985	Softail 07-11	\$1,202.99
6986	Softail 12-17	\$1,202.99

BAD HOMBRE DUALS WITH FISHTAILS

6987	Softail 97-06	\$1,313.99
6988	Softail 07-11	\$1,344.99
6989	Softail 12-17	\$1,344.99



This product is not legal for street use on an emissions-controlled vehicle. It may be used on dedicated competition or pre-pollution-controlled vehicles only.



DISCLAIMER: NOT LEGAL FOR SALE OR USE IN CALIFORNIA ON ANY POLLUTION CONTROLLED MOTOR VEHICLE. THE SALE, USE, OR INSTALLATION OF THIS PRODUCT MAY ALSO BE ILLEGAL NATIONWIDE UNDER THE FEDERAL CLEAN AIR ACT (42 U.S.C. § 7522(A)(3)).

COBRAUSA.COM

And You Thought COBRA Only Sold Mufflers?

We have a great, big, beautiful catalog filled with all kinds of products for your V-Twin motorcycle. Exhausts are here, but so are things like air intakes, detachable backrests, and racks for everything from Sportys to Baggers. And we still offer solid mount backrests for your Sporty, Softail, or Dyna. Finally, we have an entire portfolio of freeway bars and case guards. There's something for nearly everyone in the family.



AIR Intakes

CONE AIR INTAKE

When it's time to put your snout to the spout where the gospel comes out, you'd best use our snorkel-like cone air intake. Its large intake tube orients the filter forward, better to gulp the oncoming breeze. This thing sucks more air than an out-of-shape saxophone player. Whales use it to slurp more krill by the ton.

It is available in chrome or black and even includes our lasered and folded shield which hides the nasty unsightly bits of the throttle body tubes and connectors. Relatively simple bolt-on installation.



CONE AIR INTAKE \$408.99

606-0100-06B-SB	Bagger 08-16 (Blk/Blk)
606-0100-06B-SB	Softail 16-17 (Blk/Blk)
606-0101-06B-SB	Bagger 17-24 (Blk/Blk)*
606-0102-06B-SB	Bagger 00-06, Carb Model (Blk/Blk)
606-0102-06B-SB	Bagger 02-07, Fi Model (Blk/Blk)
606-0102-06B-SB	Softail 00-15/Dyna 00-15 (Blk/Blk)
606-0102-06B-SB	Rocker 08-11 (Blk/Blk)
606-0103-06B-SB	Sportsters 91-22 (Blk/Blk)
606-0104-06B-SB	Softails 18-24 (Blk/Blk)*

*WILL NOT FIT 114 MOTORS



POWRFLO AIR INTAKE

Though you might be tempted to install our new PowrFlo Air Intake just because it looks better than stock, you'll be getting a lot more than a great styling update. With our PowrFlo Intake system you'll see improved performance across the power band.

POWRFLO AIR INTAKE \$456.99

606-0100-SB	Bagger 08-16 (Chrome)
606-0100B-SB	Bagger 08-16 (Black)
606-0100-SB	Softail 16-17 (Chrome)
606-0100B-SB	Softail 16-17 (Black)
606-0101B-SB	Bagger 17-24 (Black)*

606-0102-SB	Bagger 00-06, Carb Model (Chrome)
606-0102-SB	Bagger 02-07, Fi Model (Chrome)
606-0102-SB	Softail 00-15/Dyna 00-15 (Chrome)
606-0102-SB	Rocker 08-11 (Chrome)
606-0103-SB	Sportsters 91-22 (Chrome)

606-0103B-SB	Sportsters 91-22 (Black)
606-0104-SB	Softails 18-24 (Chrome)*
606-0104B-SB	Softails 18-24 (Black)*

*WILL NOT FIT 114 MOTORS

3 This product is not legal for street use on an emissions-controlled vehicle. It may be used on dedicated competition or pre-pollution-controlled vehicles only.

4 This product does not require an E0 in California. By nature of its design, it is legal for sale and use in all 50 states. Replacement parts included.

DISCLAIMER: NOT LEGAL FOR SALE OR USE IN CALIFORNIA ON ANY POLLUTION CONTROLLED MOTOR VEHICLE. THE SALE, USE, OR INSTALLATION OF THIS PRODUCT MAY ALSO BE ILLEGAL NATIONWIDE UNDER THE FEDERAL CLEAN AIR ACT (42 U.S.C. § 7522(A)(3)).

⚠ WARNING: CANCER AND REPRODUCTIVE HARM. - WWW.P65WARNINGS.CA.GOV.

RPT AIR Cleaner Kits

The Cobra aluminum RPT air intakes use three machined posts mated to a sculpted mounting plate, capped off with a billet outer ring. Seven 12-point bolts secure the ring to the assembly. Comes complete with everything required for installation.



CHROME ON CHROME



CHROME ON BLACK



BLACK ON CHROME



BLACK ON BLACK

RPT AIR CLEANER KITS		\$581.99
606-0100-05-SB	Bagger 08-16 (Chr/Chr)	
606-0100-05BC-SB	Bagger 08-16 (Blk/Chr)	
606-0100-05-SB	Softail 16-17 (Chr/Chr)	
606-0100-05BC-SB	Softail 16-17 (Blk/Chr)	
606-0101-05-SB	Bagger 17-24 (Chr/Chr)*	
606-0102-05BC-SB	Bagger 00-06, Carb Model (Blk/Chr)	
606-0102-05BC-SB	Bagger 02-07, FI Model (Blk/Chr)	
606-0102-05BC-SB	Rocker 08-11/Softail 00-15/ Dyna 00-17 (Blk/Chr)	
606-0103-05B-SB	Sportsters 91-22 (Blk/Blk)	
606-0103-05BC-SB	Sportsters 91-22 (Blk/Chr)	
606-0103-05CB-SB	Sportsters 91-22 (Chr/Blk)	
606-0104-05-SB	Softails 18-24 (Chr/Chr)*	
606-0104-05B-SB	Softails 18-24 (Blk/Blk)*	
606-0104-05CB-SB	Softails 18-24 (Chr/Blk)*	

*WILL NOT FIT 114 MOTORS



This product does not require an EO in California. By nature of its design, it is legal for sale and use in all 50 states. Replacement parts included.



AIR Cleaner Kits

Take the internal elements from the Powr-Flo Air Intake and replace the outside cover with trimmed down, edge-cut frames and you have Cobra's Air Cleaner kits. The frames are laser-cut steel, polished and chromed or powder-coated black. The Cobra C-over-V logo is laser cut into the top rear leg of the frame.

Four styles: Swept, Cross, Plain and Spoke.



SWEPT CHROME

SWEPT BLACK



CROSS CHROME

CROSS BLACK



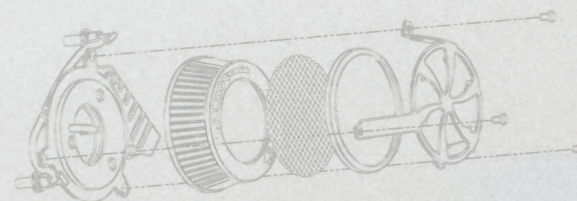
PLAIN CHROME

PLAIN BLACK



SPOKE CHROME

SPOKE BLACK



AIR CLEANER KITS	\$319.99
606-0100-01-SB	Swept Chrome Bagger 08-16/Softail 16-17
606-0100-02-SB	Cross Chrome Bagger 08-16/Softail 16-17
606-0100-04-SB	Spoke Chrome Bagger 08-16/Softail 16-17
606-0101-02B-SB	Cross Black Bagger 17-24*
606-0102-02-SB	Cross Chrome Bagger 00-06, Carb
606-0102-02B-SB	Cross Black Bagger 00-06, Carb
606-0102-03-SB	Plain Chrome Bagger 00-06, Carb
606-0102-04B-SB	Spoke Black Bagger 00-06, Carb
606-0102-02-SB	Cross Chrome Bagger 02-07, Fi
606-0102-02B-SB	Cross Black Bagger 02-07, Fi
606-0102-03-SB	Plain Chrome Bagger 02-07, Fi
606-0102-04B-SB	Spoke Black Bagger 02-07
606-0102-02-SB	Cross Chrome Softail 00-15/Dyna 00-17
606-0102-02B-SB	Cross Black Softail 00-15/Dyna 00-17
606-0102-03-SB	Plain Chrome Softail 00-15/Dyna 00-17
606-0102-04B-SB	Spoke Black Softail 00-15/Dyna 00-17
606-0103-02-SB	Cross Chrome Sportster 91-22
606-0103-02B-SB	Cross Black Sportster 91-22
606-0103-03B-SB	Plain Black Sportster 91-22
606-0104-01B-SB	Swept Black Softails 18-24*
606-0104-02B-SB	Cross Black Softails 18-24*
606-0104-03-SB	Plain Chrome Softails 18-24*
606-0104-03B-SB	Plain Black Softails 18-24*
606-0104-04B-SB	Spoke Black Softails 18-24*



This product does not require an E0 in California. By nature of its design, it is legal for sale and use in all 50 states. Replacement parts included.



DISCLAIMER: NOT LEGAL FOR SALE OR USE IN CALIFORNIA ON ANY POLLUTION CONTROLLED MOTOR VEHICLE. THE SALE, USE, OR INSTALLATION OF THIS PRODUCT MAY ALSO BE ILLEGAL NATIONWIDE UNDER THE FEDERAL CLEAN AIR ACT (42 U.S.C. § 7522(A)(3)).

⚠ WARNING: CANCER AND REPRODUCTIVE HARM. - WWW.P65WARNINGS.CA.GOV.

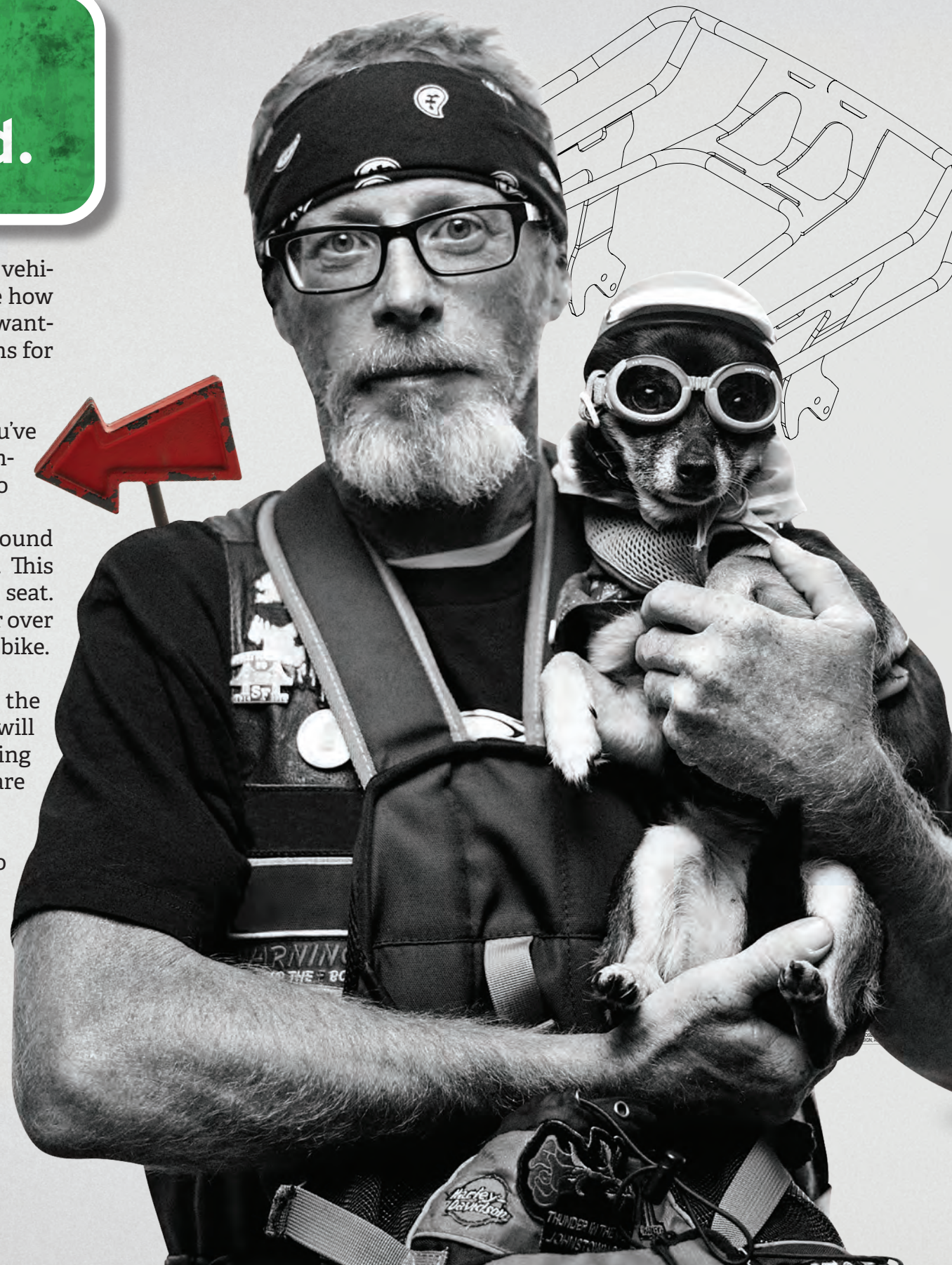
Don't Leave Anything Behind.

You gotta admit, a motorcycle is a rather impractical vehicle for long distance travel. Especially when you see how many people pack their bikes for a trip. Still, if we wanted practical, we'd all be driving high-mileage mini-vans for our trips to Sturgis. Right?

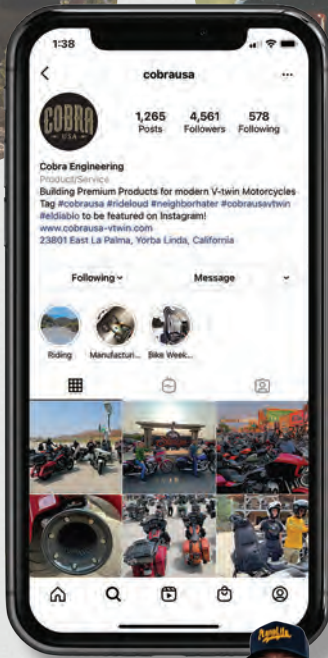
When it's time for you to head out on the road, you've got some choices to make, and we've produced a number of racks and backrests to make it easier for you to load the essentials and a bit more for your journey. Our latest is a great line of detachable BA Wrap Around racks for Baggers, Softails, Sportsters, and Dynas. This wide rack "wraps" around the sides and back of the seat. You can pack heavy and locate the weight of the gear over the rear axle instead of it hanging off the back of the bike.

Each is model specific, and they all come with all the docking hardware needed for installation. These will not work with, nor do they need the Harley docking hardware. They arrive with all the necessary hardware needed for installation.

So, turn the page, find the right rack/backrest combo for you and your precious cargo, and get out on the highway.



#cobrausa



You Don't Have To Wait To Join Gaylin And Lance On The Road. Do It Online.

The guys at 2 Lane Life (Lance Coury Sr. and Gaylin Anderson) continue to log mammoth miles all over the most scenic parts of America using the accessories they love and trust. The Highwaymen have been more than roving ambassadors for Cobra exhausts and accessories as they showcase our products and put them to use. They've taken an active role in how we develop a lot of our racks and backrests. By subjecting Cobra products to heavy use, they give us the kind of feedback that allows us to improve the durability of our exhausts and accessories, so they last over the long haul.

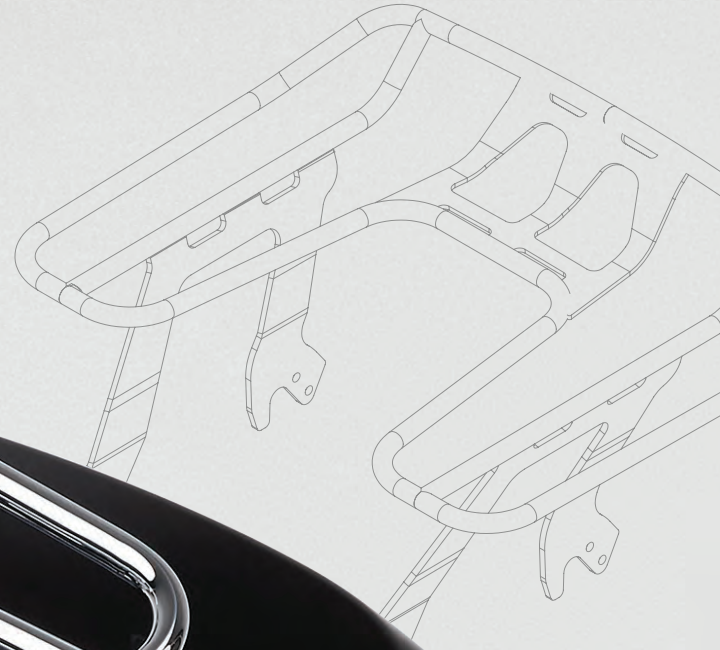
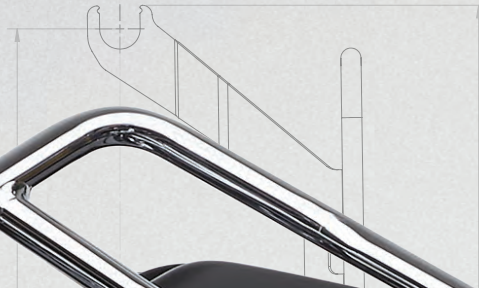
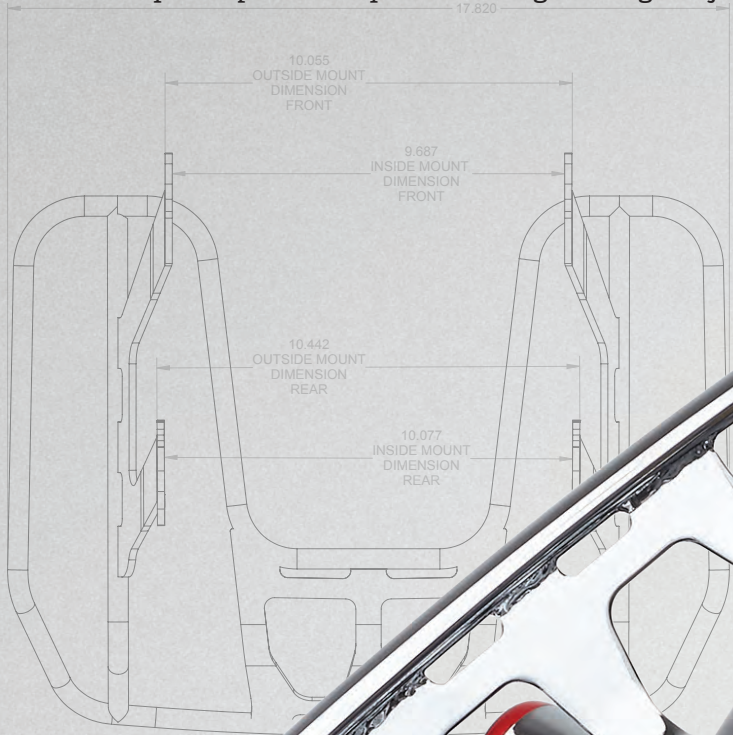


As you look through the detachable backrests and racks in the coming pages, know that many of them have gone through tens of thousands of miles of real world use by these guys. So be sure to check out their Instagram, Facebook, and YouTube pages, as well as at 2lanelife.com to follow their journeys.



WHO SAYS YOU CAN'T TAKE IT WITH YOU?

Sometimes you just have to load up and light out for the frontier. It worked for Huckleberry Finn, and now with our expanded line of detachable products, it can work for you too. From backrests—tall and short—to racks—big and small—you're sure to find the right combination so that you can take all the essentials for an epic motorcycle trip whether you're heading to Sturgis or just to the Home Depot® for a couple of necessities. Fitments include Baggers, Sportsters, M8 Softails and Dynas.





DETACHABLE BACKREST SHORT

DETACHABLE BACKREST FOR BAGGER

The Cobra detachable backrest for Baggers uses a proprietary mounting system that works best with our docking kit that bolts to the stock bike. This makes our backrest easy to install and easy to remove.

602-2000	Detachable Backrest Tall Bagger 09-24	\$319.99
602-2000B	Detachable Backrest Tall Bagger 09-24 (Black)	\$319.99
602-2012	Detachable Backrest Tall Bagger 97-08	\$319.99
602-2012B	Detachable Backrest Tall Bagger 97-08 (Black)	\$319.99
602-2200	Detachable Backrest Short Bagger 09-24	\$299.99
602-2200B	Detachable Backrest Short Bagger 09-24 (Black)	\$299.99
602-2212	Detachable Backrest Short Bagger 97-08	\$299.99
602-2212B	Detachable Backrest Short Bagger 97-08 (Black)	\$299.99
602-2100	Backrest Mounting Kit Bagger 09-13	\$220.99
602-2100B	Backrest Mounting Kit Bagger 09-13 (Black)	\$220.99
602-2101	Backrest Mounting Kit Bagger 14-24	\$220.99
602-2101B	Backrest Mounting Kit Bagger 14-24 (Black)	\$220.99
602-2102	Front Docking Kit Bagger 97-08	\$87.99
602-2103	Rear Docking Kit Bagger 97-08	\$93.99



DETACHABLE LUGGAGE RACKS

The detachable large wrap around racks for Baggers is a new approach to racks. These wide racks "wrap" around the sides and back of the seat. When the rider packs for a trip, this rack allows them to locate the weight of the gear over the rear tire instead of hanging off the back of the bike. The top of the rack is about level with the top of the seat and each rack has a kick up in the rear. Both side bags can be opened without removing the rack.

DETACHABLE LUGGAGE RACK		\$299.99
602-2500	Bagger 09-24	
602-2500B	Bagger 09-24 (Black)	
DETACHABLE RACKS (ORIGINAL BA)		\$326.99
602-2600	Bagger 09-24	
602-2600B	Bagger 09-24 (Black)	
602-2601	Bagger 97-08	
DETACHABLE RACKS (BA FLAT)		\$326.99
602-2800	Bagger 09-24	
602-2800B	Bagger 09-24 (Black)	
602-2801	Bagger 97-08	
602-2801B	Bagger 97-08 (Black)	
DETACHABLE (BA) WRAP AROUND LUGGAGE RACK*		\$309.99
602-2640B	Bagger 09-24 (Black)	

NOTE: Dimensions on page 52



PART # 602-2640



DETACHABLE LUGGAGE RACK.
PART # 602-2500, PART # 602-2500B (BLACK)



ORIGINAL BA, PART # 602-2600



ORIGINAL BA (BLACK), PART # 602-2600B



BA FLAT, PART # 602-2800



BA FLAT (BLACK), PART # 602-2800B



TWO UP TOUR PACK MOUNT (CHROME)



TWO UP TOUR PACK MOUNT (BLACK)



TWO UP TOUR PACK MOUNT BAGGER 97-08

DETACHABLE TOUR PACK MOUNTS

For riders looking to mount a tour pack to their Street Glides or Road Glides or other models, we now offer a couple of options. For the 1997-2008 Baggers we have a simple mount in chrome. It requires you use both the front and rear docking hardware (two separate items that are not included and must be purchased separately). This mount is available in chrome only.

For the 2009-2013 Baggers we have a standard chrome tour pack mount and a version for riders with a solo seat. Both require the Cobra four-point docking hardware (602-2100/2100B). And for the 2014-2020 models we have a similar tour pack mount and solo mount that requires the four-point docking hardware (602-2101/2101B). For these later model years, the mounts are available in chrome or black.

602-2700	Two Up Tour Pack Mount Bagger 97-08	\$264.99
602-2701	Two Up Tour Pack Mount Bagger 09-13	\$264.99
602-2702	Two Up Tour Pack Mount Bagger 14-24	\$264.99
602-2702B	Two Up Tour Pack Mount Bagger 14-24 (Black)	\$264.99
602-2704B	Solo Tour Pack Mount Bagger 14-24 (Black)	\$264.99

602-2102	Front Docking Kit Bagger 97-08	\$87.99
602-2103	Rear Docking Kit Bagger 97-08	\$93.99
602-2100	Mounting Kit Bagger 09-13	\$220.99
602-2100B	Mounting Kit Bagger 09-13 (Black)	\$220.99
602-2101	Mounting Kit Bagger 14-24	\$220.99
602-2101B	Mounting Kit Bagger 14-24 (Black)	\$220.99

DETACHABLE Backrests

DETACHABLE BACKREST FOR DYNAS, SOFTTAILS AND SPORTSTERS

A detachable backrest offers the best of both worlds for a rider. It offers the convenience of a practical and comfortable back support, but one that is easily removed for around town riding. What really sets this detachable backrest system apart from the rest, is that there is no need to relocate the stock turn signals. Each is bike specific and arrives with everything needed to install on the bike, including mounting hardware. Round bars have a Cobra branded insert, while the square bars do not.



MINI-BLACK



SHORT-BLACK

DETACHABLE BACKREST (Mini) - Chrome/Black

602-2021/602-2021B	FLSTF 00-06, FXST/S/B 00-05, FLSTC 00-17, FLSTN 07-17, FLSTS 00-03	\$502.99
602-2022/602-2022B	FLSTF 07-17, FXST/S/B 06-09	\$502.99
602-2024/602-2024B	FXD 06-10, FXDB 06-17, FXDC 06-14, FXDL 06-09, FXDL 14-17	\$502.99
602-2025B	Sportsters 04-20 (Not Roadster 16-17)	\$463.99
602-2026B	FLDE/FLSL/FXBB 18-24	\$484.99
602-2027	FLFB/S,FXBR/S 18-24	\$484.99
602-2028B	FXFB/S 18-24	\$484.99
602-2029/602-2029B	FXLR/S 18-24	\$484.99
602-2030B	FLHC/S 18-24	\$484.99
602-2031B	FLSB 18-24	\$484.99

DETACHABLE BACKREST (Short) - Chrome/Black

602-2041/602-2041B	FLSTF 00-06, FXST/S/B 00-05, FLSTC 00-17, FLSTN 07-17, FLSTS 00-03	\$502.99
602-2042	FLSTF 07-17, FXST/S/B 06-09	\$502.99
602-2044/602-2044B	FXD 06-10, FXDB 06-17, FXDC 06-14, FXDL 06-09, FXDL 14-17	\$502.99
602-2045/602-2045B	Sportsters 04-21 (Not Roadster 16-17)	\$463.99
602-2046/602-2046B	FLDE/FLSL/FXBB 18-24	\$484.99
602-2049B	FXLR/S 18-24	\$484.99
602-2050B	FLHC/S 18-24	\$484.99
602-2051B	FLSB 18-24	\$484.99



MINI-CHROME



SHORT-CHROME

DETACHABLE Backrests



ROUND-BLACK



ROUND-CHROME

DETACHABLE BACKREST (Round) - Chrome/Black

602-2001/602-2001B	FLSTF 00-06, FXST/S/B 00-05, FLSTC 00-17, FLSTN 07-17, FLSTS 00-03	\$502.99
602-2002/602-2002B	FLSTF 07-17, FXST/S/B 06-09	\$502.99
602-2004/602-2004B	FXD 06-10, FXDB 06-17, FXDC 06-14, FXDL 06-09, FXDL 14-17	\$502.99
602-2005/602-2005B	Sportsters 04-22 (Not Roadster 16-17)	\$463.99
602-2006/602-2006B	FLDE/FLSL/FXBB 18-24	\$484.99
602-2007/602-2007B	FLFB/S, FXBR/S 18-24	\$484.99
602-2009/602-2009B	FXLR/S 18-24	\$484.99
602-2010/602-2010B	FLHC/S 18-24	\$484.99
602-2011/602-2011B	FLSB 18-24	\$484.99

BOLT-ON RACKS FOR THE COBRA DETACHABLE BACKREST

These racks are for our detachable backrests for Dyna, Softail and Sportster models. They bolt directly to the backrest and are available in a chrome or black finish. They are a stylish combination of tube and laser cut steel.

BOLT-ON RACKS FOR DETACHABLE BACKREST \$199.99

602-3500	Tube Luggage Rack (Chrome) Fits 602-2001/602-2021/602-2041/602-2004/ 602-2024/602-2044/602-2005/602-2045/ 602-2006/602-2046/602-2010
602-3500B	Tube Luggage Rack (Black) 602-2001B/602-2021B/602-2041B/602-2004B/ 602-2024B/602-2044B/602-2005B/602-2025B/ 602-2045B/602-2006B/602-2026B/602-2046B/ 602-2010B/602-2030B/602-2050B
602-3501	Tube Luggage Rack (Chrome) Fits 602-2002/602-2022/602-2042/602-2009/ 602-2029/ 602-2011
602-3501B	Tube Luggage Rack (Black) Fits 602-2002B/602-2022B/602-2009B/ 602-2029B/602-2049B/602-2011B/602-2031B/ 602-2051B/602-2028B
602-3502	Tube Luggage Rack (Chrome) Fits 602-2007/602-2027
602-3502B	Tube Luggage Rack (Black) Fits 602-2007B



BOLT-ON RACK FOR DETACHABLE BACKREST

TUBE LUGGAGE RACK WIDE

These bolt on wide tube racks are comparable to the 02-3500 but are approximately 5" wider and 2.5" longer. This larger platform allows riders to pack their cargo more securely. Works great with tactical styled bags.



TUBE LUGGAGE RACK WIDE - Chrome/Black

\$252.99

602-3510/602-3510B	Fits 602-2001/602-2021/602-2041/602-2004/602-2024/ 602-2044/602-2005/602-2045/602-2006/602-2046/ 602-2010/602-2001B/602-2021B/602-2041B/602-2004B/ 602-2024B/602-2044B/ 602-2005B/602-2025B/602-2045B 602-2006B/602-2026B/ 602-2046B/602-2010B/602-2030B 602-2050B
--------------------	---

DETACHABLE Luggage Racks

DETACHABLE SOLO LUGGAGE RACKS

These detachable racks use our proprietary pull release mechanism, so they can be installed or removed in a matter of seconds. They arrive with all the necessary hardware needed for installation and come in a standard version available in chrome or black, and in our new 18-inch wide by 13.5-inch deep BA Rack, also available in chrome or black.

DETACHABLE RACKS (Standard) - Chrome/Black

602-2510/602-2510B	FLSL/FXBB 18-24	\$374.99
602-2511/602-2511B	FLDE 18-24	\$374.99
602-2514	FLHC 18-24	\$374.99

DETACHABLE RACKS (BA) - Chrome/Black

602-2610B	FLSL/FXBB 18-24	\$427.99
602-2614B	FLHC 18-24	\$427.99

NOTE: These racks include all mounting hardware. They do not work with nor require the Harley-Davidson mounting kits.

NOTE: Will work with Leather Pros bags with proper length fasteners available from Leather Pros.



STANDARD



BA

DETACHABLE Luggage Racks



PART # 602-2630



PART # 602-2615B

For riders who prefer a two-up seat, we've designed the Cobra BA Wrap Around racks. Each is model specific, and we have two basic versions. The first is for riders using a stock OEM style seat. It has a larger opening to fit around the stock seat and overall it is nearly 19-inches wide. It's approximately 13-inches front to back. The second version is for riders using some of the narrower aftermarket seats like the Saddlemans Step Up or the Lucky Daves step up seat. This rack for aftermarket seats is about 2-inches narrower side to side than the one for OEM seats, but the same 13-inches front to back.

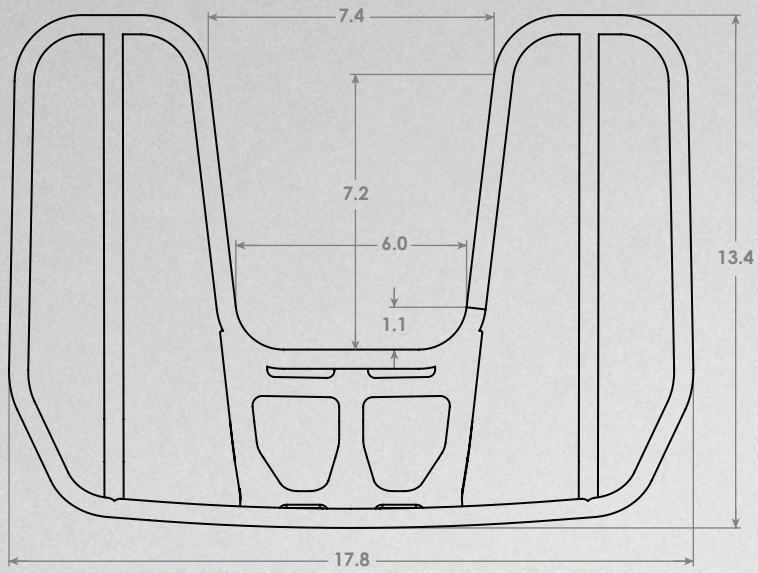
The top of the rack is about level with the top of the seat and each rack has a kick up in the rear. The middle of the rear section uses a laser-cut, formed steel plate to hold your cargo in place. There are plenty of places to attach bungee cords or mounting straps so you no longer have to scratch your bike's fender as you secure your cargo.

DETACHABLE WRAP AROUND LUGGAGE RACKS

- Chrome/Black

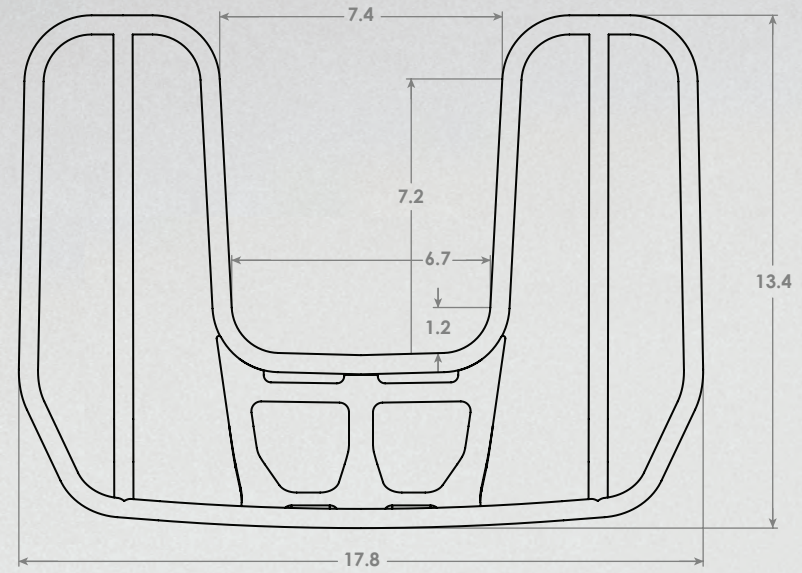
602-2611/602-2611B	FXBB/FLSL 18-24	\$406.99
602-2612B	FLFB/FXBR 18-24	\$406.99
602-2613/602-2613B	FXLR/S 18-24	\$406.99
602-2615/602-2615B	FLSB 18-24	\$406.99
602-2616B	FXFB 18-24	\$406.99
602-2620B	Sportster 04-22	\$406.99
602-2630/602-2630B	Dyna w/ OEM Seat 06-17	\$406.99
602-2631/602-2631B	Dyna w/ Saddlemen Seat 06-17	\$406.99

NOTE: These racks include all mounting hardware. They do not work with nor require the Harley-Davidson mounting kits.



RACK #1

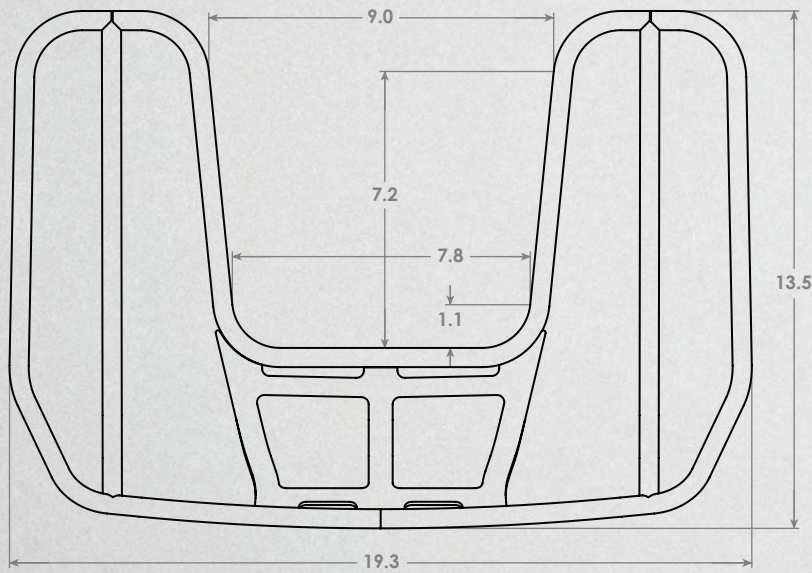
602-2611	FXBB Street Bob 18-24, FLSL	\$406.99
	Softail Slim 18-24	
602-2611B	FXBB Street Bob 18-24, FLSL	\$406.99
	Softail Slim 18-24 (Black)	



RACK #2

602-2616B	FXFB Fat Bob 18-24 (Black)	\$406.99
602-2620B	Sportster 04-22 (Black)	\$406.99
602-2631*	Dyna with Saddlemen seat 06-17	\$406.99
602-2631B*	Dyna with Saddlemen seat 06-17 (Black)	\$406.99

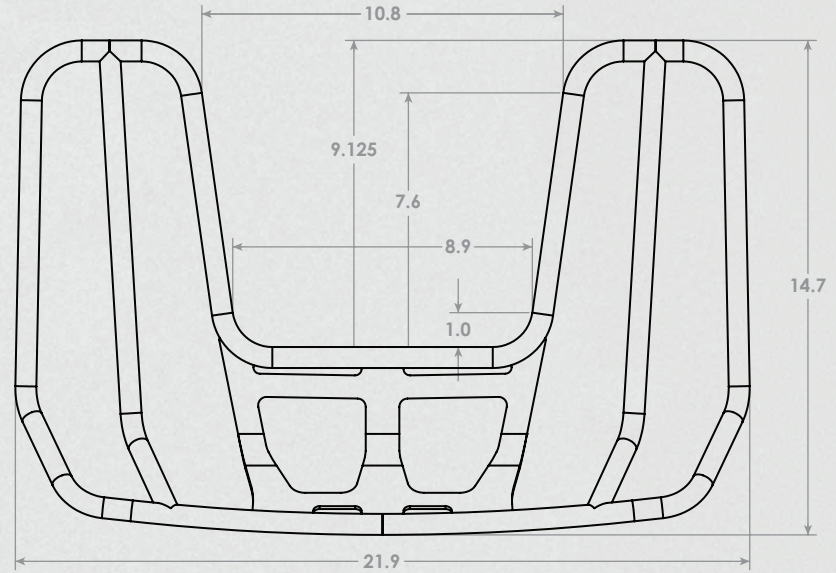
*Will not fit FXDWG and FXDF models



RACK #3

602-2612B	FLFB Fat Boy, FXBR Breakout 18-24 (Black)	\$406.99
602-2613	FXLR Lowrider 18-24	\$406.99
602-2613B	FXLR Lowrider 18-24 (Black)	\$406.99
602-2615	FLSB Sportglide 18-24	\$406.99
602-2615B	FLSB Sportglide 18-24 (Black)	\$406.99
602-2630*	Dyna w/ OEM seat 06-17	\$406.99
602-2630B*	Dyna w/ OEM seat 06-17 (Black)	\$406.99

*Will not fit FXDWG and FXDF models



RACK #4

602-2640B	Bagger 09-24 (Black)	\$406.99
-----------	----------------------	----------

Description on page 46



SISSY BAR HEIGHTS



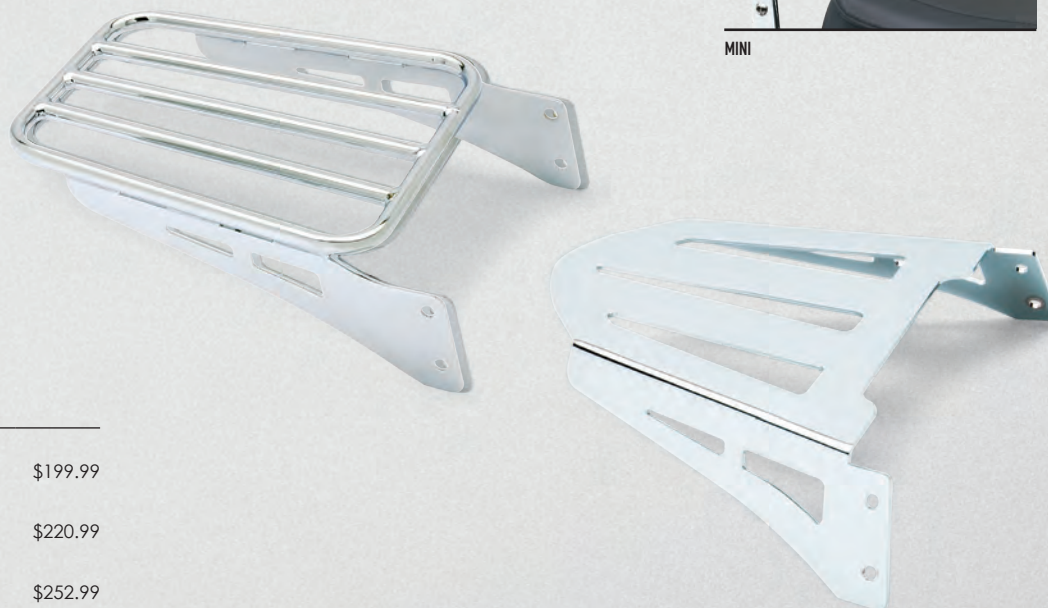
STANDARD



SHORT



MINI



When you're out on the road, you're either the low maintenance type or you're like everyone else and like to bring a few things along—and that's when our sissy bar luggage racks are a real blessing. They bolt directly to any of our sissy bars and provide a great place for carrying soft luggage or an overnight bag. And as easily as they install and carry your stuff, they're also just as easy to take off for a cleaner look when you're in town.

SISSY BAR LUGGAGE RACKS (Chrome/Black)		
02-3500/02-3500B	Luggage Rack (Tube) Will fit all Harley applications	\$199.99
02-3600/02-3600B	Luggage Rack (Formed) Will fit all Harley applications	\$220.99
602-3510/602-3510B	Luggage Rack Wide (Tube) Will fit all Harley applications	\$252.99

SISSY Bars

Whether you're going for the '60s chopper look, want to strap something down in back, or simply want your passenger to talk to you after a long ride, you'll find our sissy bars are a great addition to any bike. Available in either square or round, they're built from high-strength steel and then polished and chromed or powder coated black. And each one is custom-built to fit your specific bike, so there are no hassles with cutting, drilling or spacing.

Each sissy bar comes with everything you need: The bar, pad and mounting brackets are all covered with one part number.

MINI SISSY BARS (Chrome/Black)		
602-1100	Softail (FLSTF 00-06, FXST/S/B 00-05)	\$386.99
602-1101/602-1101B	Softail (FLSTF 07-17, FXST/S/B 06-09)	\$386.99
602-1102/602-1102B	Dyna (FXD/B/C/L 06-17)	\$386.99
602-1103/602-1103B	Sportster (XL 04-22)	\$386.99
602-1104	Softail (FLSTC 00-17, FLSTN 07-17, FLSTS 00-03)	\$386.99

SHORT SISSY BARS (Chrome/Black)		
602-1200	Softail (FLSTF 00-06, FXST/S/B 00-05)	\$396.99
602-1201/602-1201B	Softail (FLSTF 07-17, FXST/S/B 06-09)	\$396.99
602-1202/602-1202B	Dyna (FXD/B/C/L 06-17)	\$396.99
602-1204	Softail (FLSTC 00-17, FLSTN 07-17, FLSTS 00-03)	\$396.99

STANDARD SISSY BARS (Chrome/Black)		
602-1150	Softail (FLSTF 00-06, FXST/S/B 00-05)	\$396.99
602-1151/602-1151B	Softail (FLSTF 07-17, FXST/S/B 06-09)	\$396.99
602-1152/602-1152B	Dyna (FXD/B/C/L 06-17)	\$396.99
602-1153	Sportster (XL 04-22)	\$396.99
602-1154	Softail (FLSTC 00-17, FLSTN 07-17, FLSTS 00-03)	\$396.99

SHORT ROUND SISSY BARS (Chrome/Black)		
602-1300	Softail (FLSTF 00-06, FXST/S/B 00-05)	\$413.99
602-1301/602-1301B	Softail (FLSTF 07-17, FXST/S/B 06-09)	\$413.99
602-1303	Sportster (XL 04-22)	\$383.99
602-1304	Softail (FLSTC 00-17, FLSTN 07-17, FLSTS 00-03)	\$413.99

STANDARD ROUND SISSY BARS (Chrome/Black)		
602-1251	Softail (FLSTF 07-17, FXST/S/B 06-09)	\$413.99
602-1252B	Dyna (FXD/B/C/L 06-17)	\$413.99
602-1253	Sportster (XL 04-22)	\$383.99
602-1254	Softail (FLSTC 00-17, FLSTN 07-17, FLSTS 00-03)	\$413.99

FREEWAY Bars

There isn't a much better feeling than stretching out and just rolling down the open road. After all, it's why you're on a cruiser in the first place. So why not do it in real comfort on a set of our freeway bars? Fabricated from super-stout 1.25-inch steel tube with heavy-duty welded flanges, you won't find a more solid, yet comfortable platform to kick back on. And if nothing is ever big enough or bad enough for you, we also offer them in 1.5-inch fatty as well for an even beefier look.

Our newest freeway bar presents a more aggressive V-shape, narrower at the bottom than at the top with tighter bends.

FREEWAY BARS		\$305.99
601-2100	Softail (All FL Models, except FLSTC) 00-17	
601-2105	Softail (FLSTC) 00-17	
601-2101	Dyna (FXD/B/C) 91-17	

FREEWAY BARS - BLACK		\$305.99
601-2100B	Softail (All FL Models, except FLSTC) 00-17	
601-2101B	Dyna (FXD/B/C) 91-17	
601-2106B	Sportster (XL) 04-22	

FATTY FREEWAY BARS		\$330.99
601-2200	Softail (All FL Models, except FLSTC) 00-17	
601-2205	Softail (FLSTC) 00-17	
601-2201	Dyna (FXD/B/C) 91-17	

V-BEND FREEWAY BARS		\$305.99
601-2107	Softail (FXBB, FXLR/S) 18-24	
601-2107B	Softail (FXBB, FXLR/S) 18-24 (Black)	
601-2108	Softail 18-24 (Not FXDR114)	
601-2108B	Softail 18-24 (Not FXDR114) (Black)	
601-2109	Sportster (XL) 04-22	
601-2109B	Sportster (XL) 04-22 (Black)	
601-2110	Dyna (FXD/B/C) 91-17	
601-2110B	Dyna (FXD/B/C) 91-17 (Black)	

NOTE: Will not fit Dyna models with forward controls. Will not fit Sportster models with chin spoilers or forward controls.





BAGGER

Freeway Bars

Freeway Bars are those often un-noticed but functional accessories for motorcycles of all kinds. Beyond providing a revised styling element to the classic V-Twin profile, our Freeway Bars provide a host of other benefits.

The V-Bend shaped bar utilizes an aggressive v-bend shape as opposed to the more old-style hoop version. There is still plenty of room for your feet.

The Cobra Case Guard leaves enough room for Bigfoot sized feet around the foot controls. The height of the bar sits just above the top of the rear brake pedal, and with the width a bit outboard of the floorboards.

The V-Bend Freeway Bar and the Case Guards use 1.25-inch mandrel bent steel tubes. The Fatty Bar uses a 1.5-inch bar. All you need for an easy installation comes in one box.

These will not work on models equipped with fairing lowers.

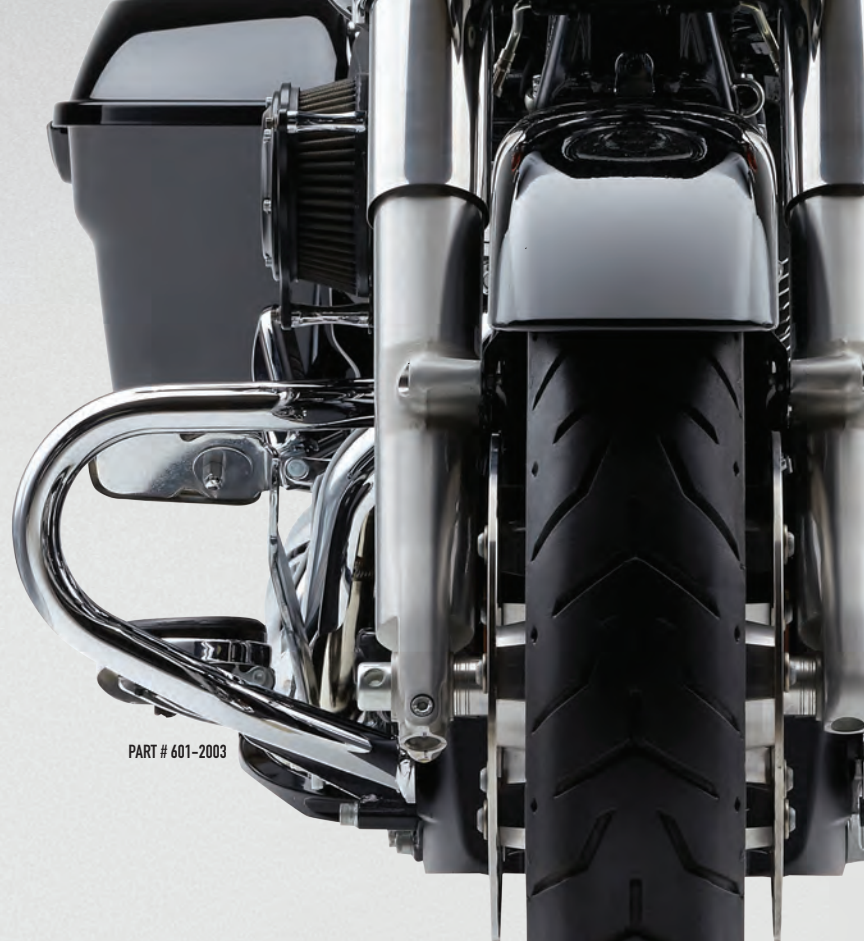
FATTY FREEWAY BARS		\$330.99
601-2202	Bagger (FLHT/C, FLHR/C, FLHX) 97-08	
601-2203	Bagger (FLHT, FLHR, FLHX) 09-24	
V-BEND FREEWAY BARS		\$305.99
601-2113	Bagger 09-24	
601-2113B	Bagger 09-24 (Black)	
BAGGER CASE GUARDS		
601-2002	Bagger 09-13	\$280.99
601-2002B	Bagger 09-13 (Black)	\$292.99
601-2003	Bagger 14-24	\$292.99
601-2003B	Bagger 14-24 (Black)	\$292.99

NOTE: Will not fit Bagger models equipped with fairing lowers.

NOTE: WILL NOT FIT ON ROADGLIDE MODELS.



PART # 601-2113



PART # 601-2003



PART # 601-2113B

ACCESSORIES



PART # 601-2003B

SISSY BAR INSERTS

Here's the perfect way to personalize your Stock Harley® OEM and Cobra Sissy Bars. We now offer designs from the mild Chevron look to the wild Flaming Skull. You can even go Tribal if you feel like it. Each is made from high grade steel, with a precision laser-cut design. Each is polished smooth then chrome plated to match the finish on the Sissy Bar.



PLAIN INSERT

CROSS INSERT



CROSS INSERT (OEM)

TRIBAL INSERT

SKULL INSERT

SISSY BAR INSERTS (FITS STOCK HARLEY® OEM SISSY BARS)

602-5053 Bagger OEM Detachable Sissy Bar Cross \$54.99

SISSY BAR INSERTS (FITS COBRA SISSY BARS)

02-5022	Replacement Standard Sissy Bar Pad (Freedom)	\$110.99
02-5050	Backrest Insert Steel (Fits Standard) Plain	\$61.99
02-5052	Backrest Insert Steel (Fits Standard) Skull	\$61.99
02-5053	Backrest Insert Steel (Fits Standard) Cross	\$61.99
02-5054	Backrest Insert Steel (Fits Standard) Tribal	\$61.99
02-5060	Backrest Insert Steel (Fits Short/Mini) Plain	\$61.99
02-5063	Backrest Insert Steel (Fits Short/Mini) Cross	\$61.99
02-5064	Backrest Insert Steel (Fits Short/Mini) Tribal	\$61.99
02-5071	Backrest Insert Steel (Fits Round) Skull	\$61.99
02-5072	Backrest Insert Steel (Fits Round) Cross	\$61.99
02-5073	Backrest Insert Steel (Fits Round) Tribal	\$61.99



PART # 601-2203



UNIVERSAL HEAT SHIELDS – 6"

99-0155P	1-3/4" x 6"	\$32.99
99-0165P	2" x 6"	\$32.99
99-0175P	2-1/4" x 6"	\$32.99



SADDLEBAG SUPPORTS

602-6100	Softail (FLST 00-17, FXST 00-17)	\$164.99
602-6103	Sportster (XL 04-22)	\$164.99

BAGGER EXHAUSTS & ACCESSORIES

Description	Part #	Em Code	Price
Freeway Bars Chopped (09-13)	601-2002**	NA	\$280.99
Freeway Bars Chopped Black (09-13)	601-2002B**	NA	\$292.99
Freeway Bars Chopped (14-24)	601-2003**	NA	\$292.99
Freeway Bars Chopped Black (14-24)	601-2003B**	NA	\$292.99
Freeway Bars V-Bend (09-21)	601-2113**	NA	\$305.99
Freeway Bars V-Bend Black (09-24)	601-2113B**	NA	\$305.99
Fatty Freeway Bars (97-08)	601-2202**	NA	\$330.99
Fatty Freeway Bars (09-24)	601-2203**	NA	\$330.99
Detachable Backrest Chrome (09-24)	602-2000	NA	\$319.99
Detachable Backrest Black (09-24)	602-2000B	NA	\$319.99
Detach Backrest Tall Chrome (97-08)	602-2012	NA	\$319.99
Detach Backrest Tall Black (97-08)	602-2012B	NA	\$319.99
Detachable Backrest Mounting Kit Chrome (09-13)	602-2100	NA	\$220.99
Detachable Backrest Mounting Kit Black (09-13)	602-2100B	NA	\$220.99
Detachable Backrest Mounting Kit Chrome (14-24)	602-2101	NA	\$220.99
Detachable Backrest Mounting Kit Black (14-24)	602-2101B	NA	\$220.99
Front Tour Pack Dock Kit (97-08)	602-2102	NA	\$87.99
Rear Tour Pack Dock Kit (97-08)	602-2103	NA	\$93.99
Detachable Backrest Short Chrome (09-24)	602-2200	NA	\$299.99
Detachable Backrest Short Black (09-24)	602-2200B	NA	\$299.99
Detach Backrest Short Chrome (97-08)	602-2212	NA	\$299.99
Detach Backrest Short Black (97-08)	602-2212B	NA	\$299.99
Detachable Luggage Rack Chrome (09-24)	602-2500	NA	\$299.99
Detachable Luggage Rack Black (09-24)	602-2500B	NA	\$299.99
Detach (BA) Rack Chrome (09-24)	602-2600	NA	\$326.99
Detach (BA) Rack Black (09-24)	602-2600B	NA	\$326.99
Detach (BA) Rack Chrome (97-08)	602-2601	NA	\$326.99
Det (BA) Rack-Black (WA) (14-24)	602-2640B	NA	\$309.99
Det 2-Up Tour Pak Mount Chrome (97-08)	602-2700	NA	\$264.99
Det 2-Up Tour Pak Mount Chrome (09-13)	602-2701	NA	\$264.99
Det 2-Up Tour Pak Mount Chrome (14-24)	602-2702	NA	\$264.99
Det 2-Up Tour Pak Mount Black (14-24)	602-2702B	NA	\$264.99
Det Solo Tour Pak Mount Black (14-24)	602-2704B	NA	\$264.99
Det (BA) Flat Rack Chrome (09-24)	602-2800	NA	\$326.99
Det (BA) Flat Rack Black (09-24)	602-2800B	NA	\$326.99
Det (BA) Flat Rack Chrome (97-08)	602-2801	NA	\$326.99
Det (BA) Flat Rack Black (97-08)	602-2801B	NA	\$326.99

Description	Part #	Em Code	Price
Insert for OEM Detachable Backrest - Cross	602-5053	NA	\$54.99
Air Intake Swept Chrome (08-16)	606-0100-01-SB	NA	\$319.99
Air Intake Spoke Chrome (08-16)	606-0100-04-SB	NA	\$319.99
RPT Air Intake Black/Chrome (08-16)	606-0100-05BC-SB	4	\$581.99
RPT Air Intake Chrome/Chrome (08-16)	606-0100-05-SB	4	\$581.99
Cone Air Intake Black (08-16)	606-0100-06B-SB	3	\$408.99
Power-Flo Intake System Black (08-16)	606-0100B-SB	4	\$456.99
Power-Flo Intake System Chrome (08-16)	606-0100-SB	4	\$456.99
Air Intake Cross Black (17-24)	606-0101-02B-SB	4	\$319.99
RPT Air Intake Chrome/Chrome (17-24)	606-0101-05-SB	4	\$581.99
Cone Air Intake Black (17-24)	606-0101-06B-SB	3	\$408.99
Power-Flo Intake System Black (17-24)	606-0101B-SB	4	\$456.99
Air Intake Cross Black (95-07)	606-0102-02B-SB	4	\$319.99
Air Intake Cross Chrome (95-07)	606-0102-02-SB	4	\$319.99
Air Intake Plain Chrome (95-07)	606-0102-03-SB	4	\$319.99
Air Intake Spoke Black (95-07)	606-0102-04B-SB	4	\$319.99
RPT Air Intake Black/Chrome (95-07)	606-0102-05BC-SB	4	\$581.99
Cone Air Intake Black (95-07)	606-0102-06B-SB	3	\$408.99
Power-Flo Intake System Chrome (95-07)	606-0102-SB	4	\$456.99
Slip-On Mufflers (95-16)	6020	4	\$518.99
Slip-On Mufflers RPT (95-16)	6070	4	\$518.99
Slip-On Mufflers RPT (Black) (95-16)	6070RB	4	\$540.99
Slip-On Mufflers RPT (17-24)	6071	4	\$518.99
909-Twins 4-Inch Slip-Ons (95-16)	6106	4	\$547.99
909-Twins 4-Inch Slip-Ons Black (95-16)	6106RB	4	\$518.99
NH 4-Inch Slip-Ons (95-16)	6107	4	\$547.99
NH 4-Inch Slip-Ons Black (95-16)	6107RB	4	\$518.99
909-Twins 4-Inch Slip-Ons (17-24)	6108	4	\$547.99
909-Twins 4-Inch Slip-Ons Black (17-24)	6108RB	4	\$547.99
NH 4-Inch Slip-Ons (17-24)	6109	4	\$547.99
NH 4-Inch Slip-Ons Black (17-24)	6109RB	4	\$518.99
El Diabo 4-Inch Mufflers Chrome (17-24)	6208	4	\$868.99
El Diabo 4-Inch Mufflers Black (17-24)	6208RB	4	\$882.99
Powrflo 4-1/2" Round Slip-Ons-Chrome (17-24)	6214	4	\$937.99
Powrflo 4-1/2" Round Slip-Ons-Black (17-24)	6214RB	4	\$976.99
Race-Pro 4" Slip-Ons (17-24)	6216	4	\$912.99
Race-Pro 4" Slip-Ons Black/Black (17-24)	6216RB	3	\$976.99

** Will not fit models equipped with fairing lowers

BAGGER EXHAUSTS & ACCESSORIES

Description	Part #	Em Code	Price
Speedster Short Swept (10-16)	6230	3	\$942.99
Speedster Short Swept-Black (10-16)	6230B	3	\$1,071.99
Speedster Short Swept-Black (17-24)	6231B	3	\$1,071.99
True Duals (95-06)	6250	3	\$661.99
True Duals (95-06) - Black	6250RB	3	\$653.99
True Duals (07-08)	6251	3	\$661.99
True Duals (07-08) - Black	6251RB	3	\$653.99
Power Port Dual Headpipes (10-16)	6253	3	\$749.99
Power Port Dual Headpipes-DBl Bung (09-16)	6253DB1	3	\$871.99
Power Port Dual Headpipes-Black-DBl Bung (09-16)	6253DBRB1	3	\$878.99
Pro Chamber Headpipes (17-24)	6255	3	\$749.99
Pro Chamber Double Bung Headpipes (17-24)	6255DB	3	\$871.99
Pro Chamber Double Bung Headpipes-Black (17-24)	6255DBRB	3	\$868.99
Pro Chamber Headpipes-Black (17-24)	6255RB	3	\$740.99
True Dual Headpipes Chrome (17-24)	6257	3	\$745.99
True Dual Headpipes Black (17-24)	6257RB	3	\$691.99
4" Slip-Ons w/Dual Cut Tip (95-16)	6266	4	\$871.99
4" Slip-Ons w/Dual Cut Tip (17-24)	6267	4	\$871.99
4" Slip-Ons w/Dual Cut Tip-Black (17-24)	6267RB	4	\$827.99
909 UpperCut (95-16)	6268	4	\$547.99
909 UpperCut-Black (95-16)	6268RB	4	\$518.99
909 UpperCut (17-24)	6269	4	\$547.99
909 UpperCut-Black (17-24)	6269RB	4	\$518.99
Turnout 2:1 w/Tip (09-16)	6270-1	3	\$1,130.99
Turnout 2:1 w/Tip-Black (09-16)	6270B-1	3	\$1,255.99
Turnout 2:1 w/Tip (17-24)	6271-1	3	\$1,130.99
Turnout 2:1 w/Tip-Black (17-24)	6271B-1	3	\$1,255.99
Gen2 NH 4-Inch Slip-Ons Chrome (15-16)	6276	4	\$668.99
Gen2 NH 4-Inch Slip-Ons Black (15-16)	6276RB	4	\$617.99
Gen2 NH 4-Inch Slip-Ons Chrome (17-24)	6277	4	\$668.99
Gen2 NH 4-Inch Slip-Ons Black (17-24)	6277RB	4	\$617.99
Gen2 NH 4.5 Inch UpperCut Blk (95-16)	6288RB	4	\$562.99
Gen2 NH 4.5 Inch UpperCut Blk (17-24)	6289RB	4	\$562.99
Gen2 NH 4.5 Inch Round Slip-Ons Chrome (95-16)	6290	4	\$701.99
Gen2 NH 4.5 Inch Round Slip-Ons Black (95-16)	6290RB	4	\$661.99
Gen2 NH 4.5 Inch Round Slip-Ons Chrome (17-24)	6291	4	\$701.99
Gen2 NH 4.5 Inch Round Slip-Ons Black (17-24)	6291RB	4	\$661.99

Description	Part #	Em Code	Price
Power Pro HP 2 into 1 (95-06)	6430	3	\$898.99
Power Pro HP 2 into 1 (07-08)	6431	3	\$898.99
PowrFlo 2:1 w/Billet Tip Chrome (17-24)	6451	3	\$1,036.99
PowrFlo 2:1 w/Billet Tip Black (17-24)	6451RB	3	\$1,141.99
Fishtail Speedster Duals (10-16)	6974	3	\$1,130.99
Fishtail Speedster Duals (17-24)	6975	3	\$1,130.99
Quiet Core (Speedster Xtra Longs)	9017Q	NA	\$60.99 ea.
Core - 2" (Fits 6020)	9025	NA	\$55.99 ea.
Core - 1-3/4" (Fits 6020)	9028	NA	\$55.99 ea.
Billet Straight Tip 4"	PT-1004P	NA	\$74.99 ea.
Billet Scalloped Tip 4"	PT-1009P	NA	\$103.99 ea.

SOFTAIL '18-24 EXHAUSTS & ACCESSORIES

Description	Part #	Em Code	Price
Freeway Bars-Chrome (FXBB,FXLR)	601-2107*	NA	\$305.99
Freeway Bars-Black (FXBB,FXLR)	601-2107B*	NA	\$305.99
Freeway Bars-Chrome (FLDE,FLHC/S,FLSL,FLFB/S,FXBR/S,FXFB/S,FLSB)	601-2108	NA	\$305.99
Freeway Bars-Black (FLDE,FLHC/S,FLSL,FLFB/S,FXBR/S,FXFB/S,FLSB)	601-2108B	NA	\$305.99
Detachable Backrest-Round (FLDE,FLSL,FXBB)-Chrome	602-2006	NA	\$484.99
Detachable Backrest-Round (FLDE,FLSL,FXBB)-Black	602-2006B	NA	\$484.99
Detachable Backrest-Round (FLFB/S, FXBR/S)-Chrome	602-2007	NA	\$484.99
Detachable Backrest-Round (FLFB/S, FXBR/S)-Black	602-2007B	NA	\$484.99
Detachable Backrest-Round (FXLR)-Chrome	602-2009	NA	\$484.99
Detachable Backrest-Round (FXLR)-Black	602-2009B	NA	\$484.99
Detachable Backrest-Round (FLHC/S)-Chrome	602-2010	NA	\$484.99
Detachable Backrest-Round (FLHC/S)-Black	602-2010B	NA	\$484.99
Detachable Backrest-Round (FLSB)-Chrome	602-2011	NA	\$484.99
Detachable Backrest-Round (FLSB)-Black	602-2011B	NA	\$484.99
Detachable Backrest-Mini (FLDE,FLSL,FXBB)-Black	602-2026B	NA	\$484.99
Detachable Backrest-Mini (FLFB/S,FXBR/S)-Chrome	602-2027	NA	\$484.99
Detachable Backrest-Mini (FXFB/S)-Black	602-2028B	NA	\$484.99
Detachable Backrest-Mini (FXLR)-Chrome	602-2029	NA	\$484.99
Detachable Backrest-Mini (FXLR)-Black	602-2029B	NA	\$484.99
Detachable Backrest-Mini (FLHC/S)-Black	602-2030B	NA	\$484.99

*Will not fit Softails with Extended Reach or Forward Controls

SOFTAIL '18-24 EXHAUSTS & ACCESSORIES (Continued)

Description	Part #	Em Code	Price
Detachable Backrest-Mini (FLSB,FXLRST)-Black	602-2031B	NA	\$484.99
Detachable Backrest-Short (FLDE,FLSL,FXBB)-Chrome	602-2046	NA	\$484.99
Detachable Backrest-Short (FLDE,FLSL,FXBB)-Black	602-2046B	NA	\$484.99
Detachable Backrest-Short (FXLR)-Black	602-2049B	NA	\$484.99
Detachable Backrest-Short (FLHC/S)-Black	602-2050B	NA	\$484.99
Detachable Backrest-Short (FLSB,FXLRST)-Black	602-2051B	NA	\$484.99
Detachable Solo Rack-Std (FLSL/FXBB)-Chrome	602-2510	NA	\$374.99
Detachable Solo Rack-Std (FLSL/FXBB)-Black	602-2510B	NA	\$374.99
Detachable Solo Rack-Std (FLDE)-Chrome	602-2511	NA	\$339.99
Detachable Solo Rack-Std (FLDE)-Black	602-2511B	NA	\$339.99
Detachable Solo Rack-Std (FLHC)-Chrome	602-2514	NA	\$339.99
Detachable (BA) Rack (FLSL/FXBB)-Chrome	602-2610	NA	\$386.99
Detachable (BA) Rack (FLSL/FXBB)-Black	602-2610B	NA	\$427.99
Detachable (BA) Rack (WA) (FLSL/FXBB)-Chrome	602-2611	NA	\$386.99
Detachable (BA) Rack (WA) (FLSL/FXBB)-Black	602-2611B	NA	\$386.99
Detachable (BA) Rack (WA) (FLFB/FLBR)-Black	602-2612B	NA	\$427.99
Detachable (BA) Rack (WA) (FXLR)-Chrome	602-2613	NA	\$427.99
Detachable (BA) Rack (WA) (FXLR)-Black	602-2613B	NA	\$427.99
Detachable (BA) Rack (FLHC)-Chrome	602-2614	NA	\$386.99
Detachable (BA) Rack (FLHC)-Black	602-2614B	NA	\$427.99
Detachable (BA) Rack (WA) (FLSB,FXLRST)-Chrome	602-2615	NA	\$427.99
Detachable (BA) Rack (WA) (FLSB,FXLRST)-Black	602-2615B	NA	\$427.99
Detachable (BA) Rack (WA) (FXFB)-Black	602-2616B	NA	\$427.99
Luggage Rack Tube (FLDE,FLSL,FXBB,FLHC/S)	602-3500	NA	\$199.99
Luggage Rack Tube (FLDE,FLSL,FXBB,FLHC/S) Black	602-3500B	NA	\$199.99
Luggage Rack Tube (FXLR,FLSB,FXFB/S)	602-3501	NA	\$199.99
Luggage Rack Tube (FXLR,FLSB,FXFB/S) Black	602-3501B	NA	\$199.99
Luggage Rack (Tube) (FLFB/S,FXBR/S)-Chrome	602-3502	NA	\$199.99
Luggage Rack (Tube) (FLFB/S,FXBR/S)-Black	602-3502B	NA	\$199.99
Air Intake Swept Black (Will not fit 114 Motors)	606-0104-01B-SB	4	\$319.99
Air Intake Cross Black (Will not fit 114 Motors)	606-0104-02B-SB	4	\$319.99
Air Intake Plain Black (Will not fit 114 Motors)	606-0104-03B-SB	4	\$319.99
Air Intake Plain Chrome (Will not fit 114 Motors)	606-0104-03-SB	4	\$319.99
Air Intake Spoke Black (Will not fit 114 Motors)	606-0104-04B-SB	4	\$319.99
RPT Air Intake Black/Black (Will not fit 114 Motors)	606-0104-05B-SB	4	\$581.99
RPT Air Intake Chrome/Black (Will not fit 114 Motors)	606-0104-05CB-SB	4	\$581.99
RPT Air Intake Chrome/Chrome (Will not fit 114 Motors)	606-0104-05-SB	4	\$581.99

Description	Part #	Em Code	Price
Cone Air Intake Black (Will not fit 114 Motors)	606-0104-06B-SB	3	\$408.99
Power-Flo Intake System Black (Will not fit 114 Motors)	606-0104B-SB	4	\$456.99
Power-Flo Intake System Chrome (Will not fit 114 Motors)	606-0104-SB	4	\$456.99
El Diablo Slip-Ons Black (FXFB/S)	6046B	3	\$628.99
3" NH Series Mufflers (FXBB,FXLR/S/ST,FLFB/S,FLSL,FXBR/S)	6047	3	\$485.99
3" NH Series Mufflers Black (FXBB,FXLR/S/ST,FLFB/S,FLSL,FXBR/S)	6047B	3	\$496.99
3" NH Series Mufflers (FLHC/S, FLDE)	6048	3	\$485.99
3" NH Series Mufflers Black (FLHC/S,FLDE)	6048B	3	\$496.99
RPT Slip-On Mufflers (FXBB,FXLR/S/ST,FLFB/S,FLSL,FXBR/S)	6057	3	\$507.99
RPT Slip-On Mufflers Black (FXBB,FXLR/S/ST,FLFB/S,FLSL,FXBR/S)	6057B	3	\$529.99
RPT Slip-On Mufflers (FLHC/S,FLDE)	6058	3	\$507.99
RPT Slip-On Mufflers Black (FLHC/S,FLDE)	6058B	3	\$529.99
El Diablo 2:1-Chrome (FXFB/S)	6474	3	\$827.99
El Diablo 2:1-Black (FXFB/S)	6474B	3	\$968.99
El Diablo 2:1-Chrome (FLFB/S,FXBR/S,FXDR)	6475	3	\$913.99
El Diablo 2:1-Chrome (FXBB,FXLR/S,FLSL,FLDE)	6478	3	\$913.99
El Diablo 2:1-Black (FXBB,FXLR/S,FLSL,FLDE)	6478B	3	\$968.99
El Diablo 2:1-Chrome (FLHC/S,FLSB)	6479	3	\$913.99
El Diablo 2:1-Black (FLHC/S,FLSB)	6479B	3	\$968.99
El Diablo 2:1-Chrome (FXLRST)	6486	3	\$913.99
El Diablo 2:1-Black (FXLRST)	6486B	3	\$968.99
909 Twins Slip-On-Chrome (FLSB)	6520	3	\$374.99
909 Twins Slip-On-Black (FLSB)	6520B	3	\$370.99
Dual Cut Slip-On-Chrome (FLSB)	6521	3	\$529.99
Dual Cut Slip-On-Black (FLSB)	6521B	3	\$527.99
Speedster 909-Chrome (FXBB,FXLR/S,FLSL,FLDE)	6712	3	\$603.99
Speedster 909-Black (FXBB,FXLR/S,FLSL,FLDE)	6712B	3	\$628.99
Speedster 909-Black (FLHLC/S,FLSB)	6713B	3	\$628.99
Speedster 909-Chrome (FXFB/S)	6714	3	\$603.99
Speedster 909-Black (FXFB/S)	6714B	3	\$628.99
Speedster 909-Black (FLFB/S,FXBR/S,FXDR)	6715B	3	\$628.99
Speedster Short RPT-Chrome (FXBB,FXLR/S,FLSL,FLDE)	6792	3	\$786.99
Speedster Short RPT-Chrome (FLHC/S,FLSB)	6793	3	\$786.99
Speedster Short RPT-Black (FLHC/S,FLSB)	6793B	3	\$842.99
Speedster Short RPT-Chrome (FXFB/S)	6794	3	\$786.99
Speedster Short RPT-Chrome (FLFB/S,FXBR/S,FXDR)	6795	3	\$868.99

Description	Part #	Em Code	Price
Speedster Short RPT-Black (FLFB/S,FXBR/S,FXDR)	6795B	3	\$930.99
Speedster Slashdown-Chrome (FXBB,FXLR/S,FLSL,FLDE)	6853	3	\$878.99
Speedster Slashdown-Black (FXBB,FXLR/S,FLSL,FLDE)	6853B	3	\$948.99
Speedster Slashdown-Chrome (FLFB/S,FXBR/S,FXDR)	6863	3	\$878.99
Speedster Slashdown-Chrome (FXFB/S)	6864	3	\$796.99

SOFTAIL EXHAUSTS & ACCESSORIES

Description	Part #	Em Code	Price
Sissy Bar Rack (Tube)	02-3500	NA	\$199.99
Sissy Bar Rack (Tube) Black	02-3500B	NA	\$199.99
Sissy Bar Rack (Formed)	02-3600	NA	\$220.99
Sissy Bar Rack (Formed) Black	02-3600B	NA	\$220.99
Standard Sissy Bar Pad (Freedom)	02-5022	NA	\$110.99
Backrest Insert Steel (Fits Std) Plain	02-5050	NA	\$61.99
Backrest Insert Steel (Fits Std) Skull	02-5052	NA	\$61.99
Backrest Insert Steel (Fits Std) Cross	02-5053	NA	\$61.99
Backrest Insert Steel (Fits Std) Tribal	02-5054	NA	\$61.99
Backrest Insert Steel (Fits Short/Mini) Plain	02-5060	NA	\$61.99
Backrest Insert Steel (Fits Short/Mini) Cross	02-5063	NA	\$61.99
Backrest Insert Steel (Fits Short/Mini) Tribal	02-5064	NA	\$61.99
Backrest Insert Steel (Fits Round) Skull	02-5071	NA	\$61.99
Backrest Insert Steel (Fits Round) Cross	02-5072	NA	\$61.99
Backrest Insert Steel (Fits Round) Tribal	02-5073	NA	\$61.99
Freeway Bars (00-17) (NOT FLSTC/FLSTS/FLSTSC)	601-2100	NA	\$305.99
Freeway Bars (00-17) (NOT FLSTC/FLSTS/FLSTSC) Black	601-2100B	NA	\$305.99
Freeway Bars (00-17) (FLSTC ONLY)	601-2105	NA	\$305.99
Fatty Freeway Bars (00-17) (NOT FLSTC/FLSTS/FLSTSC)	601-2200	NA	\$330.99
Fatty Freeway Bars (00-17) (FLSTC ONLY)	601-2205	NA	\$330.99
Mini Sissy Bar (FLSTF 00-06, FXST/S/B 00-05)	602-1100	NA	\$386.99
Mini Sissy Bar (FLSTF 07-17, FXST/S/B 06-10)	602-1101	NA	\$386.99
Mini Sissy Bar (FLSTF 07-17, FXST/S/B 06-10) Black	602-1101B	NA	\$386.99
Mini Sissy Bar (FLST,FLSTC 00+,FLSTN 07+,FLSTS 00-03,FLSTSC)	602-1104	NA	\$386.99
Standard Sissy Bar (FLSTF 00-06, FXST/S/B 00-05)	602-1150	NA	\$396.99
Standard Sissy Bar (FLSTF 07-17, FXST/S/B 06-10)	602-1151	NA	\$396.99
Standard Sissy Bar (FLSTF 07-17, FXST/S/B 06-10) Black	602-1151B	NA	\$396.99
Standard Sissy Bar (FLST,FLSTC 00+,FLSTN 07+,FLSTS 00-03,FLSTSC)	602-1154	NA	\$396.99
Short Sissy Bar (FLSTF 00-06, FXST/S/B 00-05)	602-1200	NA	\$396.99

Description	Part #	Em Code	Price
Short Sissy Bar (FLSTF 07-17, FXST/S/B 06-10)	602-1201	NA	\$396.99
Short Sissy Bar (FLSTF 07-17, FXST/S/B 06-10) Black	602-1201B	NA	\$396.99
Short Sissy Bar (FLST,FLSTC 00+,FLSTN 07+,FLSTS 00-03,FLSTSC)	602-1204	NA	\$396.99
Standard Sissy Bar Round (FLSTF 07-17, FXST/S/B 06-10)	602-1251	NA	\$413.99
Standard Sissy Bar Round (FLST,FLSTC 00+,FLSTN 07+,FLSTS 00-03,FLSTSC)	602-1254	NA	\$413.99
Short Sissy Bar Round (FLSTF 00-06, FXST/S/B 00-05)	602-1300	NA	\$413.99
Short Sissy Bar Round (FLSTF 07-17, FXST/S/B 06-10)	602-1301	NA	\$413.99
Short Sissy Bar Round (FLSTF 07-17, FXST/S/B 06-10) Black	602-1301B	NA	\$413.99
Short Sissy Bar Round (FLST,FLSTC 00+,FLSTN 07+,FLSTS 00-03,FLSTSC)	602-1304	NA	\$413.99
Detachable Backrest Round (FLSTF 00-06, FXST/S/B 00-05)	602-2001	NA	\$502.99
Detachable Backrest Round (FLSTF 00-06, FXST/S/B 00-05) Black	602-2001B	NA	\$502.99
Detachable Backrest Round (FLSTF 07-17, FXST/S/B 06-10)	602-2002	NA	\$502.99
Detachable Backrest Round (FLSTF 07-17, FXST/S/B 06-10) Black	602-2002B	NA	\$502.99
Detachable Backrest Mini (FLSTF 00-06, FXST/S/B 00-05)	602-2021	NA	\$502.99
Detachable Backrest Mini (FLSTF 00-06, FXST/S/B 00-05) Black	602-2021B	NA	\$502.99
Detachable Backrest Mini (FLSTF 07-17, FXST/S/B 06-10)	602-2022	NA	\$502.99
Detachable Backrest Mini (FLSTF 07-17, FXST/S/B 06-10) Black	602-2022B	NA	\$502.99
Detachable Backrest Short (FLSTF 00-06, FXST/S/B 00-05)	602-2041	NA	\$502.99
Detachable Backrest Short (FLSTF 00-06, FXST/S/B 00-05) Black	602-2041B	NA	\$502.99
Detachable Backrest Short (FLSTF 07-17, FXST/S/B 06-10)	602-2042	NA	\$502.99
Luggage Rack Tube (Fits 602-2001/2021/2041)	602-3500	NA	\$199.99
Luggage Rack Tube (Fits 602-2001B/2021B/2041B) Black	602-3500B	NA	\$199.99
Luggage Rack Tube (Fits 602-2002/2022/2042)	602-3501	NA	\$199.99
Luggage Rack Tube (Fits 602-2002B/2022B/2042B) Black	602-3501B	NA	\$199.99
Saddlebag Supports (FLST 00-17, FXST 00-11)	602-6100	NA	\$164.99
Air Intake Swept Chrome (16-17)	606-0100-01-SB	4	\$319.99
Air Intake Spoke Chrome (16-17)	606-0100-04-SB	4	\$319.99
RPT Air Intake Black/Chrome (16-17)	606-0100-05BC-SB	4	\$581.99
RPT Air Intake Chrome/Chrome (16-17)	606-0100-05-SB	4	\$581.99
Cone Air Intake Black (16-17)	606-0100-06B-SB	3	\$408.99
Power-Flo Intake System Black (16-17)	606-0100B-SB	4	\$456.99
Power-Flo Intake System Chrome (16-17)	606-0100-SB	4	\$456.99

SOFTAIL EXHAUSTS & ACCESSORIES (Continued)

Description	Part #	Em Code	Price
Air Intake Cross Black (00-15)	606-0102-02B-SB	4	\$319.99
Air Intake Cross Chrome (00-15)	606-0102-02-SB	4	\$319.99
Air Intake Plain Chrome (00-15)	606-0102-03-SB	4	\$319.99
Air Intake Spoke Black (00-15)	606-0102-04B-SB	4	\$319.99
RPT Air Intake Black/Chrome (00-15)	606-0102-05BC-SB	4	\$581.99
Cone Air Intake Black (13-15)	606-0102-06B-SB	3	\$408.99
Power-Flo Intake System Chrome (00-15)	606-0102-SB	3	\$456.99
Slip-On Mufflers FLSTF,FXSTD (00-06)	6000	3	\$485.99
Slip-On Mufflers FLSTF,FLSTFB,FXSTD (07-17)	6001	3	\$485.99
Slip-On Mufflers FLS, FLSTN, FLSTSB,FLSTFBS (08-17)	6002	3	\$485.99
Slip-On Mufflers FLSTC,FXCW,FXCWC,FXSB,FXST,FXSTB,FXSTC (07-17)	6003	3	\$485.99
Slip-On Mufflers FXST,FXSTB,FXSTS,FLST,FLSTC (00-06)	6004	3	\$485.99
3" NH Series Slip-Ons FLSTF,FLSTFB,FXSTD (07-07)	6041	3	\$485.99
3" NH Series Slip-Ons FLSTF,FLSTFB,FXSTD (07-17) (Black)	6041B	3	\$496.99
3" NH Series Slip-Ons FLS,FLSTN,FLSTSB,FLSTFBS (08-17)	6042	3	\$485.99
3" NH Series Slip-Ons FLS,FLSTN,FLSTSB,FLSTFBS (08-17) (Black)	6042B	3	\$496.99
3" NH Series Slip-Ons FLSTC,FXCW/C,FXCWC,FXSB,FXST/B/C (07-17)	6043	3	\$485.99
RPT Slip-On Mufflers FLSTF,FXSTD (00-06)	6050	3	\$507.99
RPT Slip-On Mufflers FLSTF,FLSTFB,FXSTD (07-17)	6051	3	\$507.99
RPT Slip-On Mufflers FLSTF,FLSTFB,FXSTD (07-17) Black	6051B	3	\$529.99
RPT Slip-On Mufflers FLS, FLSTN, FLSTSB,FLSTFBS (08-17)	6052	3	\$507.99
RPT Slip-On Mufflers FLS, FLSTN, FLSTSB,FLSTFBS (08-17) Black	6052B	3	\$529.99
RPT Slip-On Mufflers FLSTC,FXCW,FXCWC,FXSB,FXST,FXSTB,FXSTC (07-17)	6053	3	\$507.99
RPT Slip-On Mufflers FLSTC,FXCW,FXCWC,FXSB,FXST,FXSTB,FXSTC (07-17) BLK	6053B	3	\$529.99
RPT Slip-On Mufflers FXST,FXSTB,FXSTS,FLST,FLSTC (00-06)	6054	3	\$507.99
Speedster Short Swept (86-06)	6223	3	\$942.99
Speedster Short Swept (07-11)	6224	3	\$942.99
Speedster Short Swept-Black (07-11)	6224B	3	\$1,071.99
Speedster Short Swept (12-17)	6225	3	\$942.99
Speedster Short Swept-Black (12-17)	6225B	3	\$1,071.99
Power Pro HP 2 into 1 (86-06)	6420	3	\$871.99
Power Pro HP 2 into 1 (07-11)	6421	3	\$898.99
Power Pro HP 2 into 1 (12-17)	6422	3	\$898.99

Description	Part #	Em Code	Price
El Diablo 2:1 (12-17)	6483	3	\$913.99
El Diablo 2:1 Black (12-17)	6483B	3	\$968.99
El Diablo 2:1 (07-11)	6484	3	\$913.99
El Diablo 2:1 Black (07-11)	6484B	3	\$968.99
El Diablo 2:1 (86-06)	6485	3	\$913.99
El Diablo 2:1 Black (86-06)	6485B	3	\$968.99
Speedster 909 (12-17)	6711	3	\$603.99
Speedster 909 Black (12-17)	6711B	3	\$628.99
Dragsters (86-06)	6810T	3	\$771.99
Dragsters (07-11)	6811T	3	\$771.99
Speedster Slashdown (86-06)	6850	3	\$868.99
Speedster Slashdown (07-11)	6851	3	\$878.99
Speedster Slashdown (12-17)	6852	3	\$878.99
Speedster Slashdown-Black (12-17)	6852B	3	\$948.99
Speedster Longs (86-06)	6950T	3	\$854.99
Speedster Longs (07-11)	6951T	3	\$878.99
Speedster Longs (12-17)	6952T	3	\$878.99
True Duals w/Billet Tips (97-06)	6984	3	\$1,174.99
True Duals w/Billet Tips (07-11)	6985	3	\$1,202.99
True Duals w/Billet Tips (12-17)	6986	3	\$1,202.99
True Duals w/Fishtail Tips (97-06)	6987	3	\$1,313.99
True Duals w/Fishtail Tips (07-11)	6988	3	\$1,344.99
True Duals w/Fishtail Tips (12-17)	6989	3	\$1,344.99
Core (Speedster Slashdowns)	9015	NA	\$55.99 ea.
Quiet Core (Speedster Slashdowns)	9015Q	NA	\$60.99 ea.
Core (Dragsters)	9016	NA	\$60.99 ea.
Core (Speedster Longs)	9017	NA	\$55.99 ea.
Quiet Core (Speedster Longs)	9017Q	NA	\$60.99 ea.
Core - 2" (Fits 6000,6001,6002,6003,6004,6050,6051,6052,6053,6054)	9024	NA	\$55.99 ea.
Core - 1-3/4" (Fits 6000,6001,6002,6003,6004,6050,6051,6052,6053,6054)	9027	NA	\$55.99 ea.

ROCKER EXHAUSTS & ACCESSORIES

Description	Part #	Em Code	Price
Air Intake Cross Black	606-0102-02B-SB	4	\$319.99
Air Intake Cross Chrome	606-0102-02-SB	4	\$319.99
Air Intake Plain Chrome	606-0102-03-SB	4	\$319.99
Air Intake Spoke Black	606-0102-04B-SB	4	\$319.99
RPT Air Intake Black/Chrome	606-0102-05BC-SB	4	\$581.99
Cone Air Intake Black	606-0102-06B-SB	3	\$408.99
Power-Flo Intake System Chrome	606-0102-SB	4	\$456.99
Slip-On Mufflers	6003	3	\$485.99
3" NH Series Mufflers	6043	3	\$485.99
RPT Slip-on Mufflers	6053	3	\$507.99
RPT Slip-on Mufflers Black	6053B	3	\$529.99
Core - 2" (Fits 6003,6053)	9024	NA	\$55.99 ea.
Core - 1-3/4" (Fits 6003,6053)	9027	NA	\$55.99 ea.

BREAKOUT EXHAUSTS & ACCESSORIES

Description	Part #	Em Code	Price
Air Intake Swept Chrome (16-17)	606-0100-01-SB	4	\$319.99
Air Intake Spoke Chrome (16-17)	606-0100-04-SB	4	\$319.99
RPT Air Intake Black/Chrome (16-17)	606-0100-05BC-SB	4	\$581.99
RPT Air Intake Chrome/Chrome (16-17)	606-0100-05-SB	4	\$581.99
Cone Air Intake Black (16-17)	606-0100-06B-SB	3	\$408.99
Power-Flo Intake System Black (16-17)	606-0100B-SB	4	\$456.99
Power-Flo Intake System Chrome (16-17)	606-0100-SB	4	\$456.99
Air Intake Cross Black (13-15)	606-0102-02B-SB	4	\$319.99
Air Intake Cross Chrome (13-15)	606-0102-02-SB	4	\$319.99
Air Intake Plain Chrome (13-15)	606-0102-03-SB	4	\$319.99
Air Intake Spoke Black (13-15)	606-0102-04B-SB	4	\$319.99
RPT Air Intake Black/Chrome (13-15)	606-0102-05BC-SB	4	\$581.99
Cone Air Intake Black (13-15)	606-0102-06B-SB	3	\$408.99
Power-Flo Intake System Chrome (13-15)	606-0102-SB	4	\$456.99
Slip-On Mufflers	6003	3	\$485.99
3" NH Series Mufflers	6043	3	\$485.99
Slip-On Mufflers RPT	6053	3	\$507.99
Slip-On Mufflers RPT Black	6053B	3	\$529.99
Speedster Short Swept	6226	3	\$942.99
Core - 2" (Fits 6000,6001,6002,6003,6050,6051,6052,6053)	9024	NA	\$55.99 ea.
Core - 1-3/4" (Fits 6000,6001,6002,6003,6050,6051,6052,6053)	9027	NA	\$55.99 ea.

SPORTSTER EXHAUSTS & ACCESSORIES

Description	Part #	Em Code	Price
Sissy Bar Rack (Tube)	02-3500	NA	\$199.99
Sissy Bar Rack (Tube) Black	02-3500B	NA	\$199.99
Sissy Bar Rack (Formed)	02-3600	NA	\$220.99
Sissy Bar Rack (Formed) Black	02-3600B	NA	\$220.99
Standard Sissy Bar Pad (Freedom)	02-5022	NA	\$110.99
Backrest Insert Steel (Fits Std) Plain	02-5050	NA	\$61.99
Backrest Insert Steel (Fits Std) Skull	02-5052	NA	\$61.99
Backrest Insert Steel (Fits Std) Cross	02-5053	NA	\$61.99
Backrest Insert Steel (Fits Std) Tribal	02-5054	NA	\$61.99
Backrest Insert Steel (Fits Short/Mini) Plain	02-5060	NA	\$61.99
Backrest Insert Steel (Fits Short/Mini) Cross	02-5063	NA	\$61.99
Backrest Insert Steel (Fits Short/Mini) Tribal	02-5064	NA	\$61.99
Backrest Insert Steel (Fits Round) Skull	02-5071	NA	\$61.99
Backrest Insert Steel (Fits Round) Cross	02-5072	NA	\$61.99
Backrest Insert Steel (Fits Round) Tribal	02-5073	NA	\$61.99
Freeway Bars (04-22) Black	601-2106B**	NA	\$305.99
Freeway Bars-V Bend (04-22)	601-2109	NA	\$305.99
Freeway Bars-V Bend (04-22) Black	601-2109B	NA	\$305.99
Freeway Bars-V Bend (04-22) (883T/1200T/1200CX)	601-2111	NA	\$276.99
Freeway Bars-V Bend (04-22) Blk (883T/1200T/1200CX)	601-2111B	NA	\$276.99
Mini Sissy Bar (04-22)	602-1103	NA	\$386.99
Mini Sissy Bar (04-22) Black	602-1103B	NA	\$386.99
Standard Sissy Bar (04-22)	602-1153	NA	\$396.99
Standard Sissy Bar Round (04-22)	602-1253	NA	\$383.99
Short Sissy Bar Round (04-22)	602-1303	NA	\$383.99
Detachable Backrest Round (04-22)	602-2005	NA	\$463.99
Detachable Backrest Round (04-22) Black	602-2005B	NA	\$463.99
Detachable Backrest Mini (04-22) Black	602-2025B	NA	\$463.99
Detachable Backrest Short (04-22)	602-2045	NA	\$463.99
Detachable Backrest Short (04-22) Black	602-2045B	NA	\$463.99
Det (BA) Rack (WA-AM) Black Sportster (04-22)	602-2620B	NA	\$427.99
Luggage Rack Tube for Detachable Backrests	602-3500	NA	\$199.99
Luggage Rack Tube for Detachable Backrests Black	602-3500B	NA	\$199.99
Saddlebag Supports (04-21)	602-6103	NA	\$164.99
Air Intake Cross Black (91-22)	606-0103-02B-SB	3	\$319.99
Air Intake Cross Chrome (91-22)	606-0103-02-SB	3	\$319.99
Air Intake Plain Black (91-22)	606-0103-03B-SB	3	\$319.99

SPORTSTER EXHAUSTS & ACCESSORIES (Continued)

Description	Part #	Em Code	Price
RPT Air Intake Black/Chrome (91-22)	606-0103-05BC-SB	3	\$581.99
RPT Air Intake Black/Black (91-22)	606-0103-05B-SB	3	\$581.99
RPT Air Intake Chrome/Black (91-22)	606-0103-05CB-SB	3	\$581.99
Cone Air Intake Black (91-22)	606-0103-06B-SB	3	\$408.99
Power-Flo Intake System Black (91-22)	606-0103B-SB	3	\$456.99
Power-Flo Intake System Chrome (91-22)	606-0103-SB	3	\$456.99
Passenger Peg Relocator Bracket (14-22)	606-6462	NA	\$157.99
Slip-On Mufflers (04-13)	6030	3	\$485.99
Slip-On Mufflers (04-13) Black	6030RB	3	\$496.99
Slip-On Mufflers (14-22)	6031	3	\$485.99
Heatshields (Black) (14-22)	6031HSRB	3	\$236.99
Slip-On Mufflers (14-22) Black	6031RB	3	\$496.99
3" NH Series Slip-Ons (86-03)	6036	4	\$413.99
Slip-On Mufflers RPT (04-13)	6080	3	\$507.99
Slip-On Mufflers RPT (04-13) Black	6080RB	3	\$529.99
Slip-On Mufflers RPT (14-22)	6081	3	\$507.99
Slip-On Mufflers RPT (14-22) Black	6081RB	3	\$529.99
3" NH Series Slip-Ons (04-13)	6085	3	\$485.99
3" NH Series Slip-Ons (04-13) Black	6085RB	3	\$496.99
3" NH Series Slip-Ons (14-22)	6086	3	\$485.99
3" NH Series Slip-Ons (14-22) Black	6086RB	3	\$496.99
Speedster Short Swept (14-22)	6233	3	\$942.99
Speedster Short Swept (14-22) Black	6233B	3	\$1,071.99
El Diablo 2:1 (86-03)	6471*	4	\$658.99
El Diablo 2:1 (86-03) Black	6471B*	4	\$710.99
El Diablo 2:1 (07-13)	6472	3	\$913.99
El Diablo 2:1 (07-13) Black	6472B	3	\$968.99
El Diablo 2:1 (14-22)	6473	3	\$913.99
El Diablo 2:1 (14-22) Black	6473B	3	\$968.99
El Diablo 3.5 Inch 2:1 (07-13)	6492	3	\$913.99
El Diablo 3.5 Inch 2:1 (07-13) Black	6492B	3	\$968.99
El Diablo 3.5 Inch 2:1 (14-22)	6493	3	\$913.99
El Diablo 3.5 Inch 2:1 (14-22) Black	6493B	3	\$968.99
Speedster 909 (86-03)	6701*	4	\$526.99
Speedster 909 (86-03) Black	6701B*	4	\$550.99
Speedster 909 (07-13)	6704	3	\$573.99
Speedster 909 (07-13) Black	6704B	3	\$595.99

Description	Part #	Em Code	Price
Speedster 909 (14-22)	6705	3	\$573.99
Speedster 909 (14-24) Black2	6705B	3	\$595.99
Speedster Shorts RPT (14-22) Black	6785B	3	\$930.99
Speedster Slashdown (04-06)	6882	3	\$868.99
Core (Speedster Shorts/Slashdowns)	9016	NA	\$60.99 ea.
Quiet Core (Speedster Shorts/Slashdowns)	9016Q	NA	\$60.99 ea.
Core - 1-3/4" (Fits 6030,6031,6080,6081)	9026	NA	\$55.99 ea.

***Will not fit models with forward control footpegs **Will not fit models with front chin spoilers**

DYNA EXHAUSTS & ACCESSORIES

Description	Part #	Em Code	Price
Sissy Bar Rack (Tube)	02-3500	NA	\$199.99
Sissy Bar Rack (Tube) Black	02-3500B	NA	\$199.99
Sissy Bar Rack-Wide (Tube)	602-3510	NA	\$252.99
Sissy Bar Rack-Wide (Tube) Black	602-3510B	NA	\$252.99
Sissy Bar Rack (Formed)	02-3600	NA	\$220.99
Sissy Bar Rack (Formed) Black	02-3600B	NA	\$220.99
Standard Sissy Bar Pad (Freedom)	02-5022	NA	\$110.99
Backrest Insert Steel (Fits Std) Plain	02-5050	NA	\$61.99
Backrest Insert Steel (Fits Std) Skull	02-5052	NA	\$61.99
Backrest Insert Steel (Fits Std) Cross	02-5053	NA	\$61.99
Backrest Insert Steel (Fits Std) Tribal	02-5054	NA	\$61.99
Backrest Insert Steel (Fits Short/Mini) Plain	02-5060	NA	\$61.99
Backrest Insert Steel (Fits Short/Mini) Cross	02-5063	NA	\$61.99
Backrest Insert Steel (Fits Short/Mini) Tribal	02-5064	NA	\$61.99
Backrest Insert Steel (Fits Round) Skull	02-5071	NA	\$61.99
Backrest Insert Steel (Fits Round) Cross	02-5072	NA	\$61.99
Backrest Insert Steel (Fits Round) Tribal	02-5073	NA	\$61.99
Freeway Bars (91-17)	601-2101**	NA	\$305.99
Freeway Bars (91-17) Black	601-2101B**	NA	\$305.99
Freeway Bars-V Shaped (91-17)	601-2110	NA	\$305.99
Freeway Bars-V Shaped (91-17) Black	601-2110B	NA	\$305.99
Fatty Freeway Bars (91-17)	601-2201**	NA	\$330.99
Mini Sissy Bar (06-17)	602-1102	NA	\$386.99
Mini Sissy Bar (06-17) Black	602-1102B	NA	\$386.99
Standard Sissy Bar (06-17)	602-1152	NA	\$396.99

Description	Part #	Em Code	Price
Standard Sissy Bar (06-17) Black	602-1152B	NA	\$396.99
Short Sissy Bar (06-17)	602-1202	NA	\$396.99
Short Sissy Bar (06-17) Black	602-1202B	NA	\$396.99
Standard Sissy Bar Round (06-17) Black	602-1252B	NA	\$413.99
Detachable Backrest Round (06-17)	602-2004	NA	\$502.99
Detachable Backrest Round (06-17) Black	602-2004B	NA	\$502.99
Detachable Backrest Mini (06-17)	602-2024	NA	\$502.99
Detachable Backrest Mini (06-17) Black	602-2024B	NA	\$502.99
Detachable Backrest Short (06-17)	602-2044	NA	\$502.99
Detachable Backrest Short (06-17) Black	602-2044B	NA	\$502.99
Det (BA) Rack (WA-OEM) Chrm Dyna (06-17)	602-2630	NA	\$386.99
Det (BA) Rack (WA-OEM) Black Dyna (06-17)	602-2630B	NA	\$386.99
Det (BA) Rack (WA-AM) Chrm Dyna (06-17)	602-2631	NA	\$386.99
Det (BA) Rack (WA-AM) Black Dyna (06-17)	602-2631B	NA	\$386.99
Tube Luggage Rack (Fits 602-2004/24/44))	602-3500	NA	\$199.99
Tube Luggage Rack (Fits 602-2004B/24B/44B) Black	602-3500B	NA	\$199.99
Tube Luggage Rack-Wide (Fits 602-2004/24/44))	602-3510	NA	\$252.99
Tube Luggage Rack-Wide (Fits 602-2004B/24B/44B) Black	602-3510B	NA	\$252.99
Air Intake Cross Black (00-17)	606-0102-02B-SB	4	\$319.99
Air Intake Cross Chrome (00-17)	606-0102-02-SB	4	\$319.99
Air Intake Plain Chrome (00-17)	606-0102-03-SB	4	\$319.99
Air Intake Spoke Black (00-17)	606-0102-04B-SB	4	\$319.99
RPT Air Intake Black/Chrome (00-17)	606-0102-05BC-SB	4	\$581.99
Cone Air Intake Black (00-17)	606-0102-06B-SB	3	\$408.99
Power-Flo Intake System Chrome (00-17)	606-0102-SB	4	\$456.99
Slip-On Mufflers FXD,FXDB,FXDC (05-17)	6005	3	\$485.99
Slip-On Mufflers FXDF, FXDWG (08-17)	6006	3	\$485.99
3" NH Series Slip-Ons FXD,FXDB,FXDC (05-17)	6045	3	\$485.99
3" NH Series Slip-Ons FXDF, FXDWG (08-17)	6049	3	\$485.99
3" NH Series Slip-Ons FXDF, FXDWG (08-17)	6049B	3	\$449.99
RPT Slip-On Mufflers FXD,FXDB,FXDC (05-17)	6055	3	\$507.99
RPT Slip-On Mufflers FXD,FXDB,FXDC (05-17) Black	6055B	3	\$529.99
RPT Slip-On Mufflers FXDF, FXDWG (08-17)	6056	3	\$507.99
Speedster Short Swept-Black (06-11)	6227B	3	\$1,071.99
Speedster Short Swept (12-17)	6229	3	\$942.99
Speedster Short Swept-Black (12-17)	6229B	3	\$1,071.99
PowrPro RPT 2:1 Chrm/Blk (12-17)	6468	3	\$898.99

Description	Part #	Em Code	Price
PowrPro RPT 2:1 Blk/Chrm (12-17)	6468B	3	\$992.99
El Diablo 2:1 (06-11)	6476	3	\$913.99
El Diablo 2:1 (06-11) Black	6476B	3	\$968.99
El Diablo 2:1 (12-17)	6477	3	\$913.99
El Diablo 2:1 (12-17) Black	6477B	3	\$968.99
El Diablo 3.5 Inch 2:1 (06-11)	6496	3	\$913.99
El Diablo 3.5 Inch 2:1 (06-11) Black	6496B	3	\$968.99
El Diablo 3.5 Inch 2:1 (12-17) Black	6497B	3	\$968.99
Speedster 909 (12-17)	6708	3	\$603.99
Speedster 909 Black (12-17)	6708B	3	\$628.99
Speedster 909 (06-11)	6709	3	\$603.99
Speedster 909 Black (06-11)	6709B	3	\$628.99
Dragsters (91-05 Only)	6815T	3	\$771.99
Speedster Slashdown (91-05 Only)	6855	3	\$878.99
Speedster Slashdown (06-11)	6857	3	\$878.99
Speedster Slashdown (12-17)	6858	3	\$878.99
Speedster Slashdown-Black (12-17)	6858B	3	\$948.99
Speedster Longs (06-11)	6957T	3	\$878.99
Core (Speedster Shorts/Slashdowns)	9015	NA	\$55.99 ea.
Quiet Core (Speedster Shorts/Slashdowns)	9015Q	NA	\$60.99 ea.
Core (Dragsters)	9016	NA	\$60.99 ea.
Core (Speedster Longs)	9017	NA	\$55.99 ea.
Quiet Core (Speedster Longs)	9017Q	NA	\$60.99 ea.
Core - 2" (Fits 6005,6006,6055,6056)	9024	NA	\$55.99 ea.
Core - 1-3/4" (Fits 6005,6006,6055,6056)	9027	NA	\$55.99 ea.

****These freeway bars will not fit models with forward controls**

DYNA SWITCHBACK EXHAUSTS & ACCESSORIES

Description	Part #	Em Code	Price
Air Intake Cross Black	606-0102-02B-SB	4	\$319.99
Air Intake Cross Chrome	606-0102-02-SB	4	\$319.99
Air Intake Plain Chrome	606-0102-03-SB	4	\$319.99
Air Intake Spoke Black	606-0102-04B-SB	4	\$319.99
RPT Air Intake Black/Chrome	606-0102-05BC-SB	4	\$581.99
Cone Air Intake Black	606-0102-06B-SB	3	\$408.99
Scalloped Tip Slip-On	6209	3	\$456.99

DYNA SWITCHBACK EXHAUSTS & ACCESSORIES (Cont.)

Description	Part #	Em Code	Price
Speedster Short Swept	6229	3	\$942.99
Speedster Short Swept-Black	6229B	3	\$1,071.99
PowrPro RPT 2:1 Chrm/Blk	6468	3	\$898.99
PowrPro RPT 2:1 Blk/Chrm	6468B	3	\$992.99
El Diablo 2:1	6477	3	\$913.99
El Diablo 2:1 Black	6477B	3	\$968.99
El Diablo 3.5 Inch 2:1 Black	6497B	3	\$968.99
Speedster 909	6708	3	\$603.99
Speedster 909 Black	6708B	3	\$628.99
Speedster Slashdown	6858	3	\$878.99
Speedster Slashdown-Black	6858B	3	\$948.99
Speedster Slashdown X-Longs	6959	3	\$878.99
Core (Speedster Slashdowns)	9015	NA	\$55.99 ea.
Quiet Core (Speedster Slashdowns)	9015Q	NA	\$60.99 ea.

TRIKE EXHAUSTS & ACCESSORIES

Description	Part #	Em Code	Price
Luggage Rack (Tube) (Freewheeler/RG3 15-24)	602-3000	NA	\$264.99
Trunk Guard (Freewheeler/RG3 15-24)	602-3100	NA	\$315.99
Powerport Dual Headpipes (10-16)	6254	3	\$827.99
Powerport Dual Headpipes-Black (10-16)	6254RB	3	\$817.99
Pro Chamber Headpipes (17-24)	6256	3	\$827.99
Pro Chamber Headpipes-Black (17-24)	6256RB	3	\$817.99
RPT Slip-Ons (Freewheeler/RG3 15-24)	6300	4	\$912.99
Billet Tip Slip-Ons (Tri-Glide 09-24)	6301	4	\$912.99
909-Twins 4" Mufflers (Freewheeler/RG3 15-24)	6302	4	\$496.99
909-Twins 4" Mufflers (Tri-Glide 09-24)	6303	4	\$496.99
909-Twins 4" Mufflers-Black (Tri-Glide 09-24)	6303RB	4	\$518.99



23801 E LA PALMA AVE

YORBA LINDA, CA 92887

TEL

(714) 692-8180

(714) 692-5019

FAX

RIDE LOUD!

RIDE FOREVER



www.COBRAUSA.com